

# **MAR-K** **QUALITY PARTS**

Restoration and Custom Pickup Parts

## **INSTALLATION INSTRUCTIONS FOR HEAT SHIELDS**

Protect your wood bed from the heat of the exhaust pipes by installing a Mar-K exhaust heat shield available in stainless steel or electrogalvanized steel. One or two may be used depending on what exhaust system the truck may have. The heat shield protects the wood where the exhaust pipe or pipes bend up and over the rear axle housing and come close to the wood floor.

1. Place the exhaust heat shield directly over the pipe at the point where the pipe comes closest to the wood boards bottom surface. It may fit on one individual board or may need to fit onto two boards side by side. Place the heat shield with the open area pointing towards the front and rear of the truck so that air may flow under it between the wood and heat shield.
2. Mark the wood board or boards through the exhaust heat shields holes. Make sure that the hole locations are greater than 3/4" from the edge of any of the wood boards. Any closer than this and you may drill into a bed strip groove which will not be the full board thickness.
3. Drill at the marked locations with a 1/8" drill bit. The holes should not be more than 3/8" deep. Use a drill stop if necessary to prevent drilling completely through the wood board.
4. If using the electro-galvanized heat shields, paint them before installing. If using the stainless steel heat shields, remove the protective tape from the surface.
5. Install the heat shield with screws provided. As you install these screws, you may wish to seal the holes in the wood with a wood sealer or some water-tight sealer to prevent the wood from rotting.

©Copyright 2002 MAR-K Quality Parts L.L.C. All rights reserved.

Another Outstanding Part Manufactured in Oklahoma City, USA by

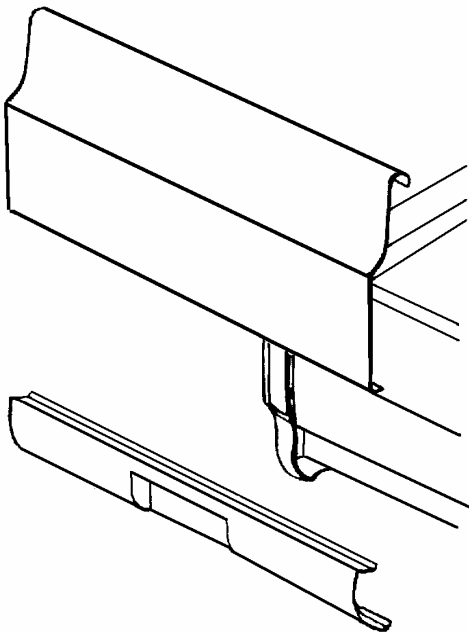
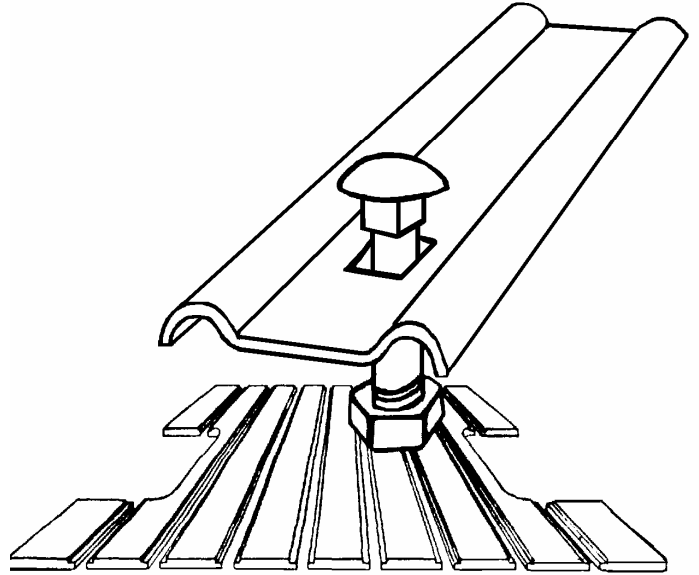


# RESTORATION & CUSTOM PICKUP PARTS

## BED STRIPS

## BED WOOD

- Bed Sides
- Tailgates
- Cross Sills
- Rear Sills
- Hardware
- Front Bed Panels



## REAR PANS FRONT PANS TAILGATE COVERS HANDLE KITS

- Weld on or bolt on panels
- Complete instructions included
- 18 Gage steel
- Smooth or Louvres

**\*\* PARTS AVAILABLE VARY EACH STYLE – CALL FOR MORE INFO\*\***