

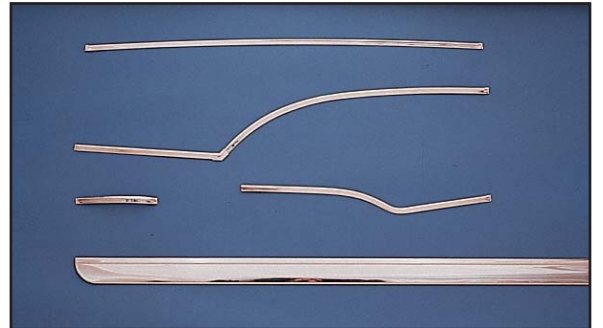
MAR-K QUALITY PARTS



**55-57
CHEVROLET
DOOR PANEL
STAINLESS
FOR
BEL AIR
NOMAD, 2-10
DEL RAY**

****ALSOAVAILABLE****

**'57 ROCKER MOULDINGS
& ROCKER MOULDING CLIP SETS**



STAINLESSAVAILABLE FOR THE FOLLOWING CHEVROLET STYLES:

1955

Bel Air 2-Door Hardtop
Bel Air Convertible
Bel Air 2-Door Sedan
Bel Air 4-Door Sedan
Nomad
2-10 2-Door Sedan
Del Ray 2-Door Club Coupe

1956

Bel Air 2-Door Hardtop
Bel Air Convertible
Bel Air 2-Door Sedan
Bel Air 4-Door Sedan
Bel Air 4-Door Hardtop
Nomad
2-10 2-Door Hardtop
2-10 2-Door Sedan
2-10 4-Door Hardtop
Del Ray 2-Door Club Coupe

1957

Bel Air 2-Door Hardtop
Bel Air Convertible
Bel Air 2-Door Sedan
Bel Air 4-Door Sedan
Bel Air 4-Door Hardtop
Nomad
2-10 2-Door Sedan
2-10 4-Door Sedan
Del Ray 2-Door Club Coupe



6625 WEST WILSHIRE BLVD. OKLAHOMA CITY, OK 73132
(405)721-7945 FAX (405)721-8906 www.mar-k.com

IMPORTANT INFORMATION

HOW TO ORDER

Please order by part number and specify year, model, body style and driver/passenger. When possible, fax your orders on **MAR-K** order forms to 405-721-8906.

You can also order your parts online at www.mar-k.com/cars

SHIPPING

Call for an estimate on shipping/handling charge. Most orders ship UPS ground. Please allow 10-15 BUSINESS DAYS to receive your order. UPS 3-DAY, 2nd Day Air, and Next Day Air also available. Air orders are shipped the FOLLOWING BUSINESS day after they are received. Shipping costs are calculated on a per-order basis, in relation to your geographic location and other factors. **Any shipping costs and a handling fee will automatically be added to your order and is NOT REFUNDABLE.** Finalizing your order implies your approval to this policy. Customer is responsible for any additional UPS/shipping charges due to incorrect address information provided by, or address changes made by the customer.

PAYMENT

Visa, MasterCard, Discover, personal or company check, money order or cashier's check. Must be US funds drawn on US banks. \$25 return check charge. On orders paid by personal or company check, we will hold your order 10 business days to insure the check clears before processing. Checks are not accepted for walk-in orders. **Credit card orders will only be shipped to the billing address on the credit card.** Customers with declined or invalid credit cards will be notified by phone message or email. Orders will be pending your reply.

POLICY

We guarantee parts to be of proper fit. CHECK ALL PARTS AND QUANTITIES CAREFULLY WHEN YOU RECEIVE THEM. If there are any problems with your order, all transactions must be done within 30 DAYS of the date shipped. No exchanges or credits will be given until the item has been returned to **MAR-K Quality Parts.**

RETURNS:

Returns are to be made within 30 DAYS of ship date. To return or exchange any item, please call first. We will need a copy of your invoice to arrange any return or credit. If the part has been altered in any way from original state due to modification or time elapsed, it will not be eligible for refund or exchange.

Our liability for parts is only the replacement of a defective part or refund for the purchase price. No other warranty is extended or should be construed or implied. If you change your mind or order the wrong part, there will be a 20% restocking and handling fee plus freight charges.

CLAIMS:

Parts leave our dock in perfect condition. Upon arrival, please inspect for damage and incorrect quantity before signing.

DAMAGED PARTS: The damaged item must be left in the original packaging until after the carrier has inspected them. The carrier will not accept a claim if the package has been moved from the original point of delivery to another location (address). In order to receive replacements / refunds please follow these procedures: Contact UPS (1-800-Pick-UPS) to report the damage to them. When MAR-K is notified of a claim in process, a replacement will be sent (takes approximately 48 hours). If immediate replacement is required you will be invoiced for replacement costs, then credited upon finalization of claim process (takes approx 2 weeks). PLEASE DO NOT RETURN THE DAMAGED PARTS TO US DIRECTLY OR THE CLAIM WILL BE FORFEITED.

OFFICE HOURS:

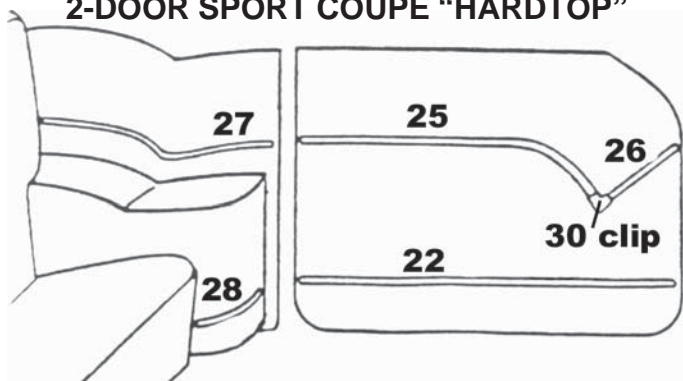
Our answering machine is available on weekends and evenings. Our fax, email and website are available 24 hours a day!

Due to manufacturing increases, prices are subject to change without notice.



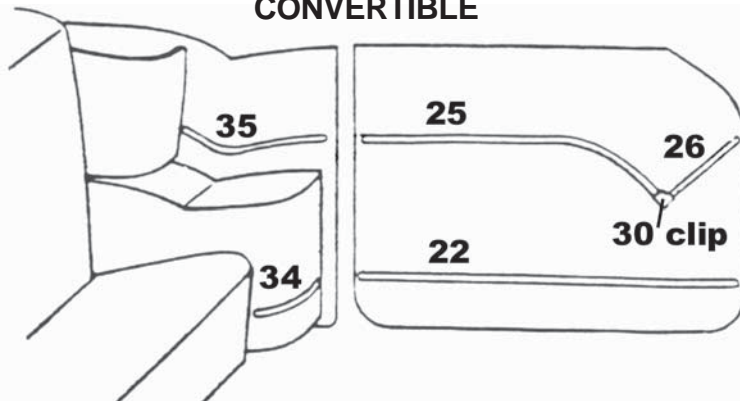
6625 WEST WILSHIRE BLVD. OKLAHOMA CITY, OK 73132
(405)721-7945 FAX (405)721-8906 www.mar-k.com

**55 CHEVROLET, BEL AIR
2-DOOR SPORT COUPE "HARDTOP"**



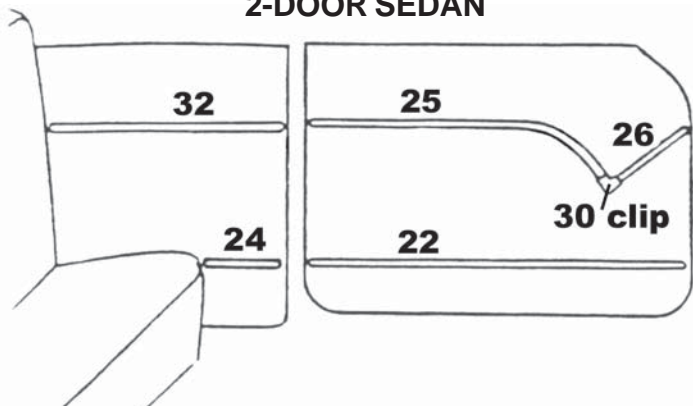
- 551 ... Complete set, 12 pcs \$240.00 set
- 555 ... Front doors, 8 pcs \$150.00 set
- 554 ... Rear quarters, 4 pcs \$102.00 set

**55 CHEVROLET, BEL AIR
CONVERTIBLE**



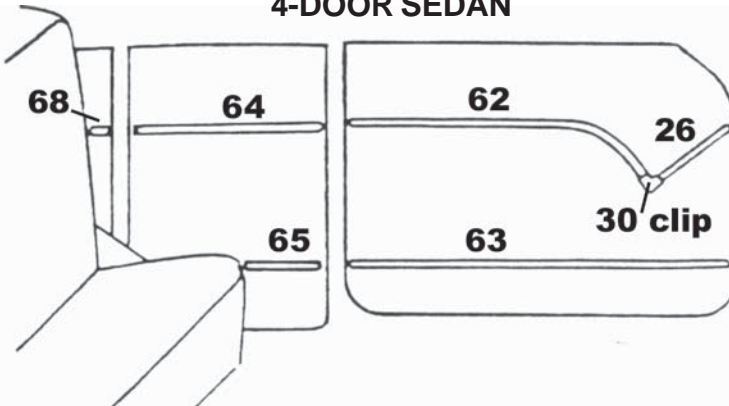
- 553 ... Complete set, 12 pcs \$240.00 set
- 555 ... Front doors, 8 pcs \$150.00 set
- 557 ... Rear quarters, 4 pcs \$102.00 set

**55 CHEVROLET, BEL AIR
2-DOOR SEDAN**



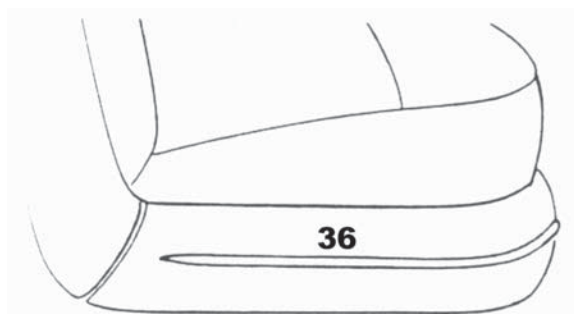
- 552 ... Complete set, 12 pcs \$216.00 set
- 555 ... Front doors, 8 pcs \$150.00 set
- 560 ... Rear quarters, 4 pcs \$ 78.00 set

**55 CHEVROLET, BEL AIR
4-DOOR SEDAN**



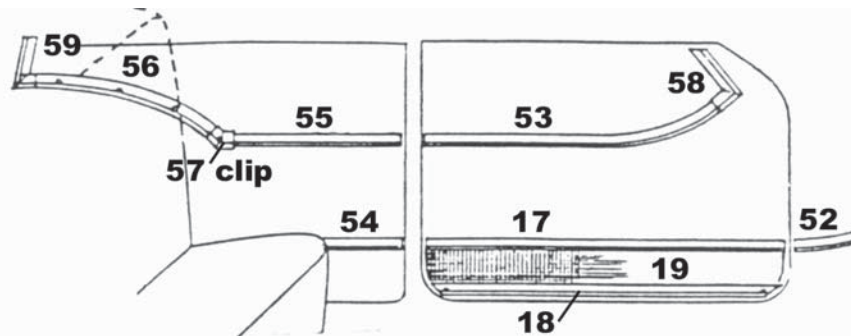
- 568 ... Complete set, 14 pcs \$240.00 set
- 561 ... Front doors, 8 pcs \$150.00 set
- 562 ... Rear doors/quarters, 6 pcs \$102.00 set

55 CHEVROLET, BEL AIR & 2-10



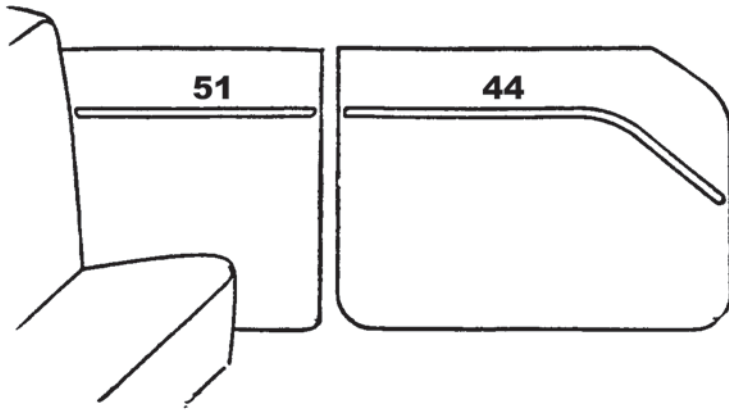
- 36 Front cushion moulding \$42.00 ea

55 CHEVROLET, NOMAD

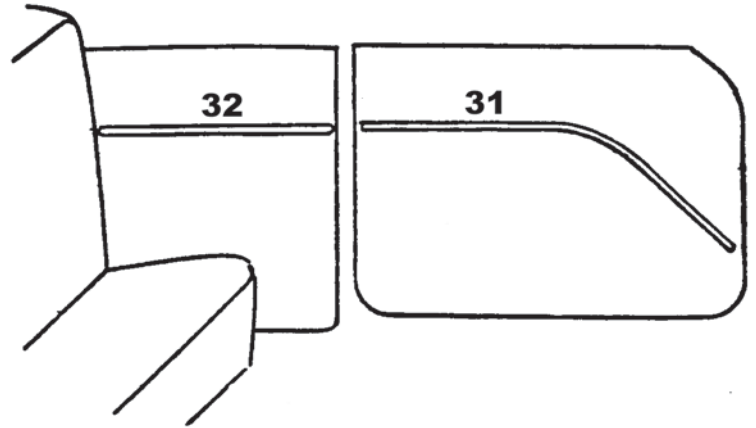


- 559 ... Complete set, 20 pcs(excl waffle)\$360.00 set
- 563 ... Front doors, 10 pcs (excl waffle) \$270.00 set
- 565 ... Rear quarters, 10 pcs \$198.00 set
- 19 ... Waffle trim \$66.00 ea

**55 CHEVROLET 2-10
2-DOOR SEDAN**



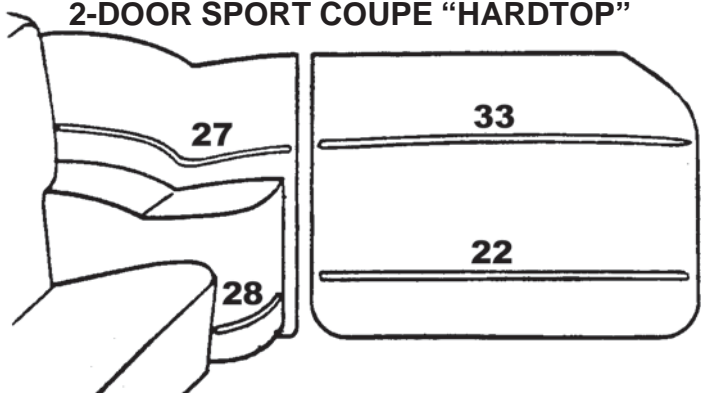
**55 CHEVROLET DEL RAY
2-DOOR SEDAN "CLUB COUPE"**



556 ... Complete set, 4 pcs \$102.00 set
 566 ... Front doors, 2 pcs \$72.00 set
 567 ... Rear quarters, 2 pcs \$48.00 set

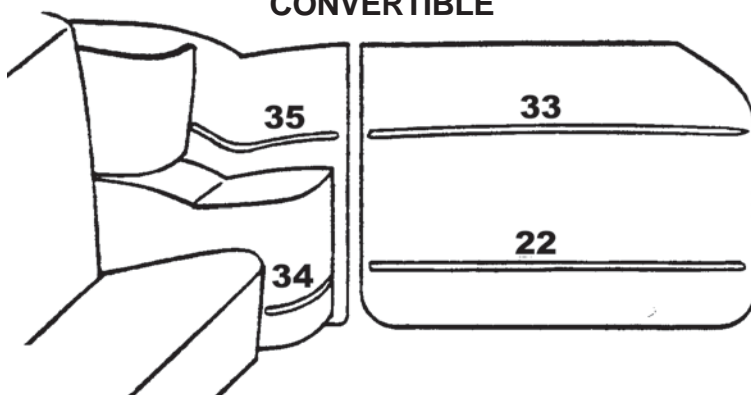
564 ... Complete set, 4 pcs \$102.00 set
 569 ... Front doors, 2 pcs \$72.00 set
 570 ... Rear quarters, 2 pcs \$48.00 set

**56 CHEVROLET, BEL AIR
2-DOOR SPORT COUPE "HARDTOP"**



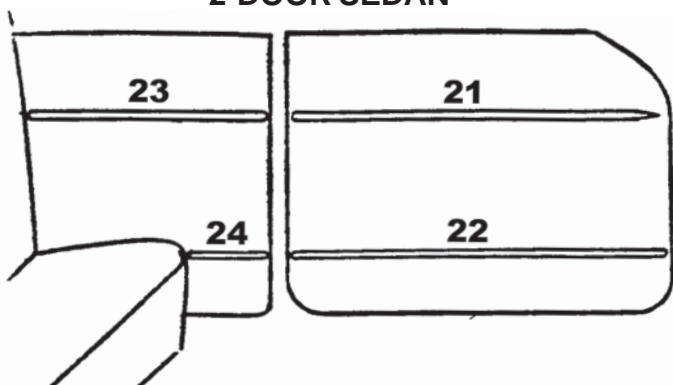
- 655 ... Complete set, 8 pcs \$192.00 set
- 651 ... Front doors, 4 pcs \$102.00 set
- 652 ... Rear quarters, 4 pcs \$102.00 set

**56 CHEVROLET, BEL AIR
CONVERTIBLE**



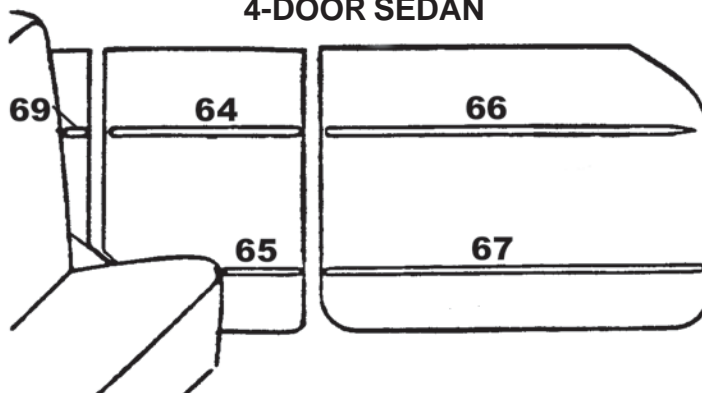
- 654 ... Complete set, 8 pcs \$192.00 set
- 651 ... Front doors, 4 pcs \$102.00 set
- 656 ... Rear quarters, 4 pcs \$102.00 set

**56 CHEVROLET, BEL AIR
2-DOOR SEDAN**



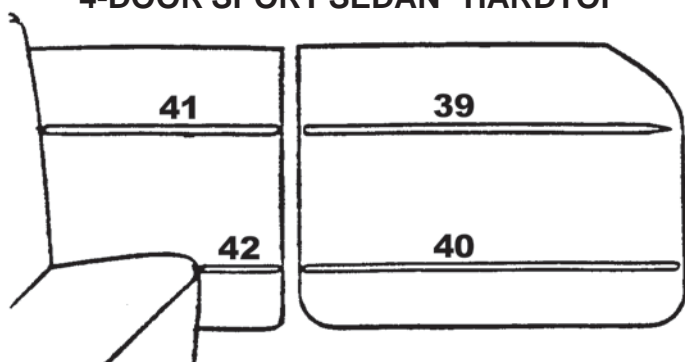
- 657 ... Complete set, 8 pcs \$192.00 set
- 663 ... Front doors, 4 pcs \$102.00 set
- 664 ... Rear quarters, 4 pcs \$ 90.00 set

**56 CHEVROLET, BEL AIR
4-DOOR SEDAN**



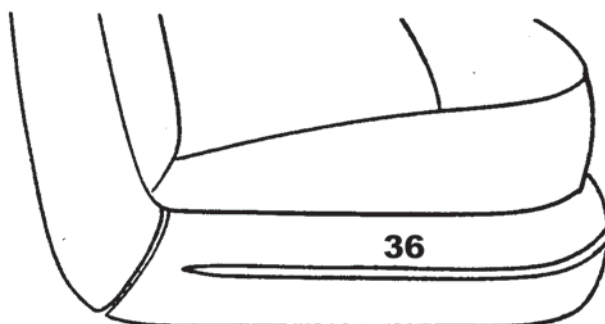
- 667 ... Complete set, 10 pcs \$192.00 set
- 665 ... Front doors, 4 pcs \$102.00 set
- 666 ... Rear doors/quarters, 6 pcs \$102.00 set

**56 CHEVROLET, BEL AIR
4-DOOR SPORT SEDAN "HARDTOP"**



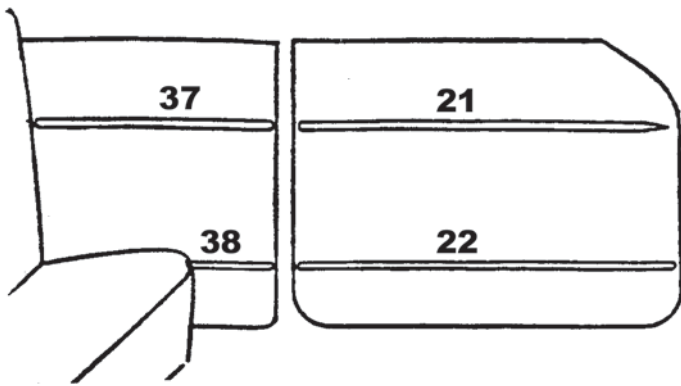
- 658 ... Complete set, 8 pcs \$192.00 set
- 668 ... Front doors, 4 pcs \$102.00 set
- 669 ... Rear doors, 4 pcs \$ 90.00 set

56 CHEVROLET, BEL AIR & 2-10



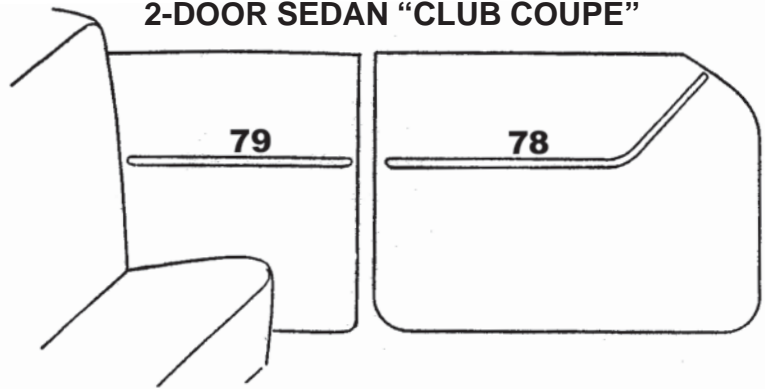
- 36 Front cushion moulding \$42.00 ea

56 CHEVROLET NOMAD



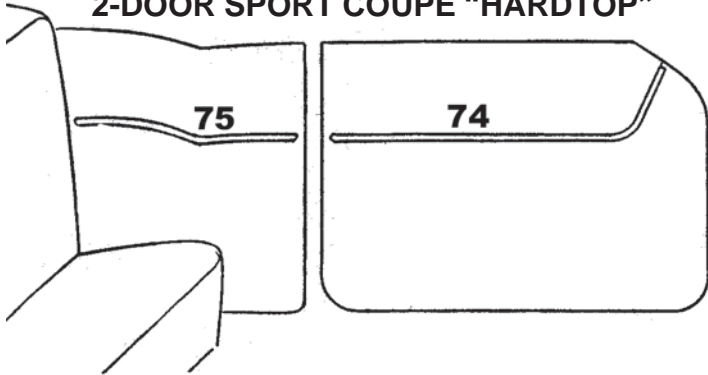
- 650 ... Complete set, 8 pcs \$204.00 set
- 670 ... Front doors, 4 pcs \$102.00 set
- 671 ... Rear doors, 4 pcs \$102.00 set

**56 CHEVROLET DEL RAY
2-DOOR SEDAN "CLUB COUPE"**



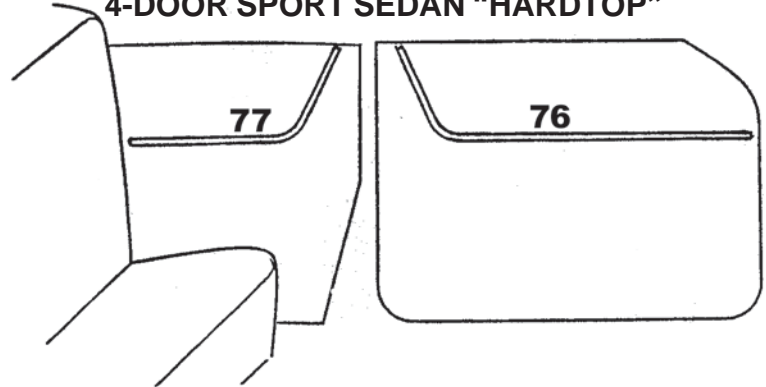
- 659 ... Complete set, 4 pcs \$108.00 set
- 672 ... Front doors, 2 pcs \$ 60.00 set
- 673 ... Rear quarters, 2 pcs \$ 48.00 set

**56 CHEVROLET 2-10
2-DOOR SPORT COUPE "HARDTOP"**



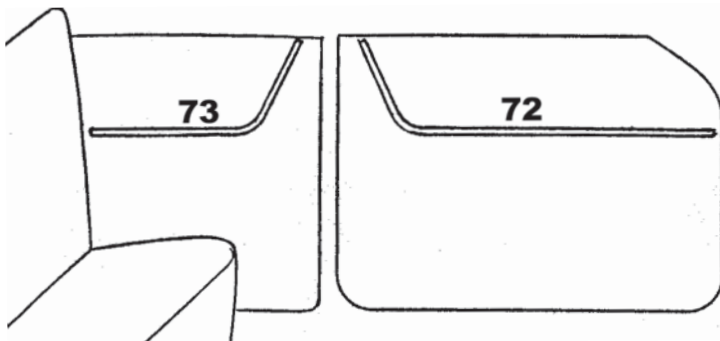
- 660 ... Complete set, 4 pcs \$120.00 set
- 674 ... Front doors, 2 pcs \$ 60.00 set
- 675 ... Rear quarters, 2 pcs \$ 60.00 set

**56 CHEVROLET 2-10
4-DOOR SPORT SEDAN "HARDTOP"**



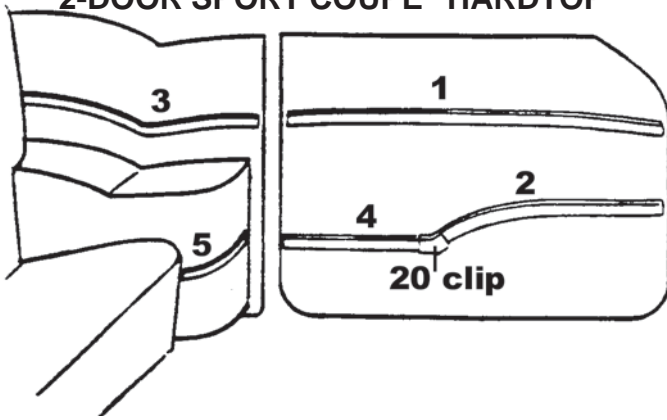
- 661 ... Complete set, 4 pc \$120.00 set
- 676 ... Front doors, 2 pcs \$ 60.00 set
- 677 ... Rear doors, 2 pcs \$ 60.00 set

**56 CHEVROLET 2-10
2-DOOR SEDAN**



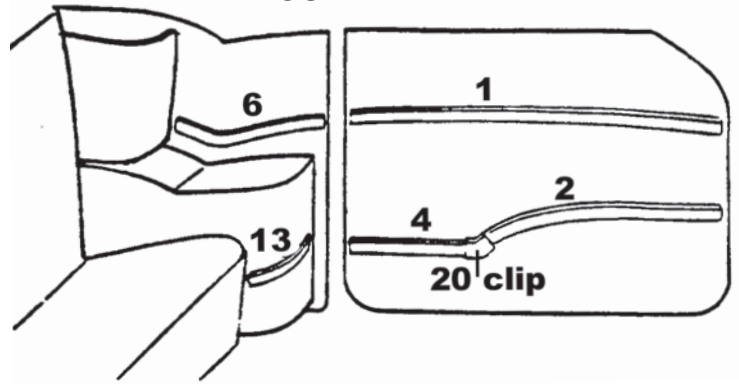
- 662 ... Complete set, 4 pcs \$120.00 set
- 678 ... Front doors, 2 pcs \$ 60.00 set
- 679 ... Rear quarters, 2 pcs \$ 60.00 set

**57 CHEVROLET, BEL AIR
2-DOOR SPORT COUPE "HARDTOP"**



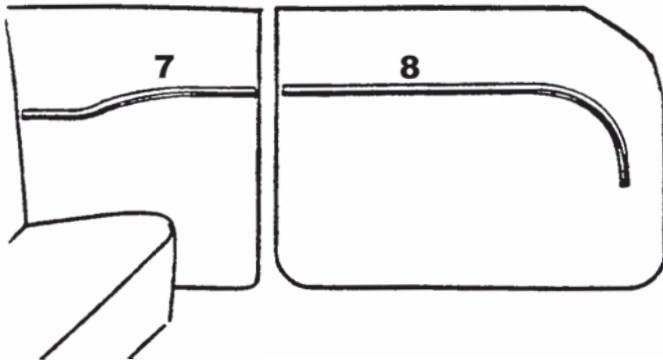
- 759 ... Complete set, 12 pcs \$240.00 set
- 750 ... Front doors, 8 pcs \$150.00 set
- 768 ... Rear quarters, 4 pcs \$102.00 set

**57 CHEVROLET, BEL AIR
CONVERTIBLE**



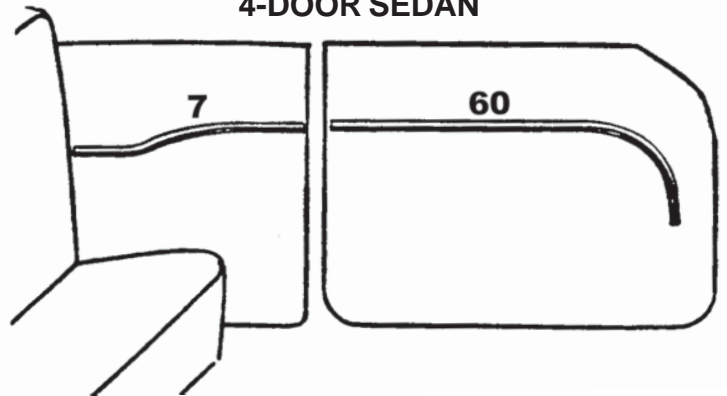
- 760 ... Complete set, 12 pcs \$240.00 set
- 750 ... Front doors, 8 pcs \$150.00 set
- 769 ... Rear quarters, 4 pcs \$102.00 set

**57 CHEVROLET, BEL AIR
2-DOOR SEDAN**



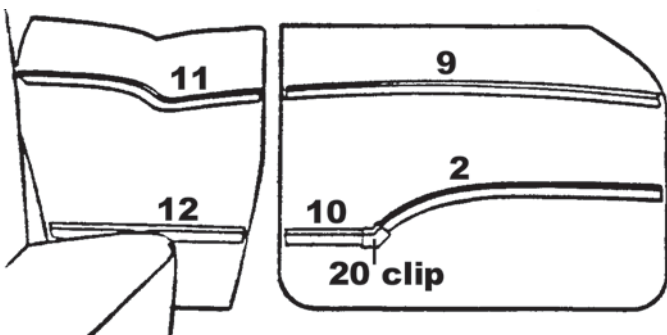
- 761 ... Complete set, 4 pcs \$144.00 set
- 752 ... Front doors, 2 pcs \$ 84.00 set
- 770 ... Rear quarters, 2 pcs \$ 72.00 set

**57 CHEVROLET, BEL AIR
4-DOOR SEDAN**



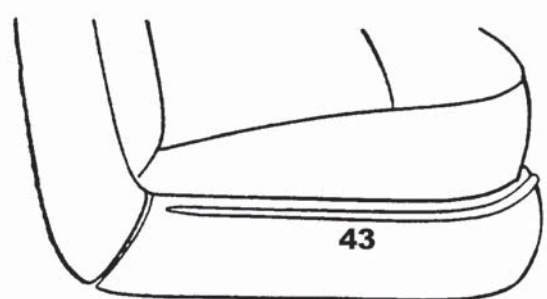
- 766 ... Complete set, 4 pcs \$144.00 set
- 753 ... Front doors, 2 pcs \$ 84.00 set
- 770 ... Rear quarters, 2 pcs \$ 72.00 set

**57 CHEVROLET, BEL AIR
4-DOOR SPORT SEDAN "HARDTOP"**



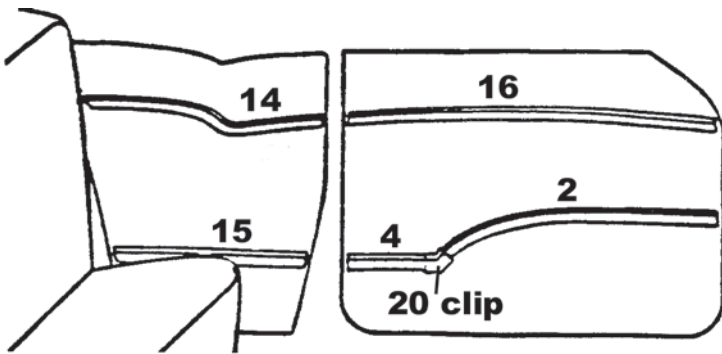
- 762 ... Complete set, 12 pcs \$240.00 set
- 754 ... Front doors, 8 pcs \$150.00 set
- 772 ... Rear doors, 4 pcs \$102.00 set

57 CHEVROLET, BEL AIR

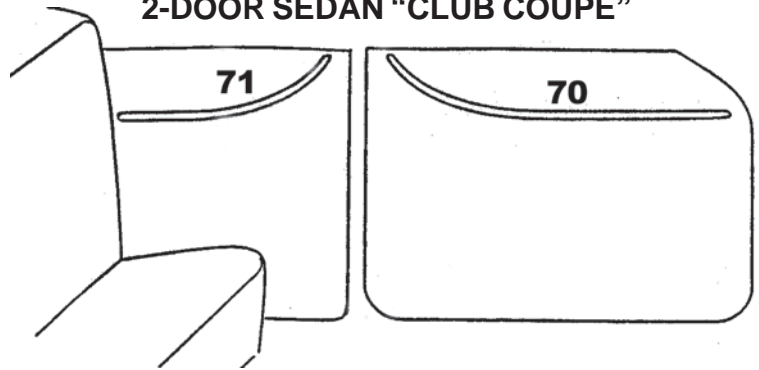


- 43 Front cushion moulding \$42.00 ea

57 CHEVROLET, NOMAD



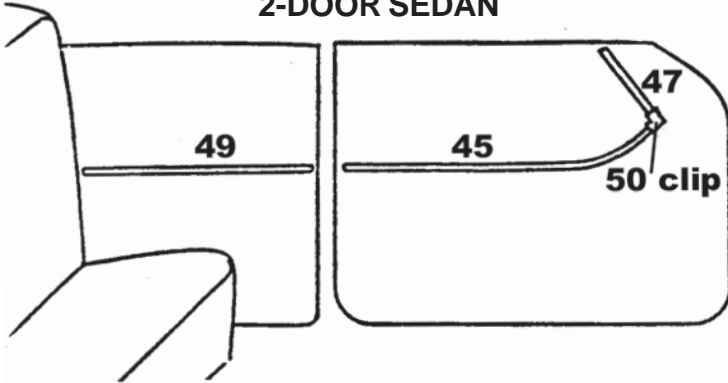
**57 CHEVROLET, DEL RAY
2-DOOR SEDAN "CLUB COUPE"**



- 763 ... Complete set, 12 pcs \$240.00 set
- 755 ... Front doors, 8 pcs \$150.00 set
- 773 ... Rear quarters, 4 pcs \$102.00 set

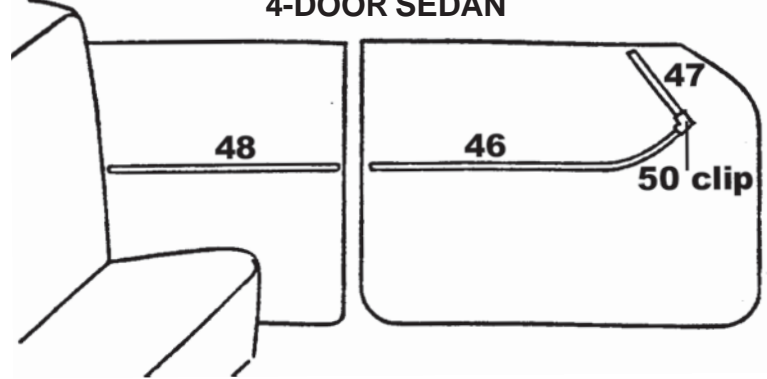
- 764 ... Complete set, 4 pcs \$120.00 set
- 756 ... Front doors, 2 pcs \$ 60.00 set
- 774 ... Rear quarters, 2 pcs \$ 60.00 set

**57 CHEVROLET, 2-10
2-DOOR SEDAN**



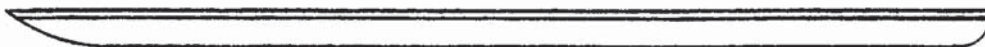
- 767 ... Complete set, 8 pcs \$192.00 set
- 757 ... Front doors, 6 pcs \$120.00 set
- 775 ... Rear quarters, 2 pcs \$ 72.00 set

**57 CHEVROLET, 2-10
4-DOOR SEDAN**



- 765 ... Complete set, 8 pcs \$192.00 set
- 758 ... Front doors, 6 pcs \$120.00 set
- 776 ... Rear doors, 2 pcs \$ 72.00 set

57 ROCKER MOULDINGS



- 57RM..... Rocker mouldings with clips . \$144.00 pr
- 57RMCS ... Clip set (12 clips) \$ 18.00 set

55 CHEVROLET STAINLESS SETS

551	55 BEL AIR 2-DOOR SPORT COUPE .	HARDTOP COMPLETE SET - 12 PCS ...	240.00	SET
552	55 BEL AIR 2-DOOR SEDAN	COMPLETE SET - 12 PCS	216.00	SET
553	55 BEL AIR CONVERTIBLE	COMPLETE SET - 12 PCS	240.00	SET
554	55 BEL AIR 2-DOOR SPORT COUPE .	HARDTOP REAR QUARTERS - 4 PCS ..	102.00	SET
555	55 SPORT CPE, CONV, 2DR SEDAN .	FRONT DOOR SET - 8 PCS	150.00	SET
556	55 2-10 2-DOOR SEDAN	COMPLETE SET - 4 PCS	102.00	SET
557	55 BEL AIR CONVERTIBLE	REAR QUARTERS SET - 4 PCS	102.00	SET
559	55 NOMAD	COMPLETE SET - 20 PCS	360.00	SET
560	55 BEL AIR 2-DOOR SEDAN	REAR QUARTERS SET - 4 PCS	78.00	SET
561	55 BEL AIR 4-DOOR SEDAN	FRONT DOOR SET - 8 PCS	150.00	SET
562	55 BEL AIR 4-DOOR SEDAN	REAR DOOR/QUARTERS SET - 6 PCS	102.00	SET
563	55 NOMAD-excl waffle trim	FRONT DOOR SET -10 PCS	270.00	SET
564	55 DEL RAY 2-DOOR CLUB COUPE ...	COMPLETE SET - 4 PCS	102.00	SET
565	55 NOMAD	REAR QUARTERS SET - 10 PCS	198.00	SET
566	55 2-10 2-DOOR SEDAN	FRONT DOOR SET - 2 PCS	72.00	SET
567	55 2-10 2-DOOR SEDAN	REAR QUARTERS SET - 2 PCS	48.00	SET
568	55 BEL AIR 4-DOOR SEDAN	COMPLETE SET - 14 PCS	240.00	SET
569	55 DEL RAY 2-DOOR CLUB COUPE ...	FRONT DOOR SET - 2 PCS	72.00	SET
570	55 DEL RAY 2-DOOR CLUB COUPE ...	REAR QUARTERS SET - 2 PCS	48.00	SET

56 CHEVROLET STAINLESS SETS

650	56 NOMAD	COMPLETE SET - 8 PCS	204.00	SET
651	56 BEL AIR 2-DOOR HARDTOP/CVT ..	FRONT DOOR SET - 4 PCS	102.00	SET
652	56 BEL AIR 2-DOOR SPORT COUPE .	HARDTOP REAR QUARTERS - 4 PCS ..	102.00	SET
654	56 BEL AIR CONVERTIBLE	COMPLETE SET - 8 PCS	192.00	SET
655	56 BEL AIR 2-DOOR SPORT COUPE .	HARDTOP COMPLETE SET - 8 PCS	192.00	SET
656	56 BEL AIR CONVERTIBLE	REAR QUARTERS SET - 4 PCS	102.00	SET
657	56 BEL AIR 2-DOOR SEDAN	COMPLETE SET - 8 PCS	192.00	SET
658	56 BEL AIR 4-DOOR SPORT SEDAN ..	HARDTOP COMPLETE SET - 8 PCS	192.00	SET
659	56 DEL RAY 2-DOOR CLUB COUPE ...	COMPLETE SET - 4 PCS	108.00	SET
660	56 2-10 2-DOOR SPORT COUPE	HARDTOP COMPLETE SET - 4 PCS	120.00	SET
661	56 2-10 4-DOOR SPORT SEDAN	HARDTOP COMPLETE SET - 4 PCS	120.00	SET
662	56 2-10 2-DOOR SEDAN	COMPLETE SET - 4 PCS	120.00	SET
663	56 BEL AIR 2-DOOR SEDAN	FRONT DOOR SET - 4 PCS	102.00	SET
664	56 BEL AIR 2-DOOR SEDAN	REAR QUARTERS SET - 4 PCS	90.00	SET
665	56 BEL AIR 4-DOOR SEDAN	FRONT DOOR SET - 4 PCS	102.00	SET
666	56 BEL AIR 4-DOOR SEDAN	REAR DOORS/QUARTERS - 6 PCS	102.00	SET
667	56 BEL AIR 4-DOOR SEDAN	COMPLETE SET - 10 PCS	192.00	SET
668	56 BEL AIR 4-DOOR SPORT SEDAN ..	HARDTOP FRONT DOOR SET - 4 PCS	102.00	SET
669	56 BEL AIR 4-DOOR SPORT SEDAN ..	HARDTOP REAR SET - 4 PCS	90.00	SET
670	56 NOMAD	FRONT DOOR SET - 4 PCS	102.00	SET



671	56 NOMAD	REAR QUARTERS SET - 4 PCS	102.00	SET
672	56 DEL RAY 2-DOOR CLUB COUPE	FRONT DOOR SET - 2 PCS	60.00	SET
673	56 DEL RAY 2-DOOR CLUB COUPE	REAR QUARTERS SET - 2 PCS	48.00	SET
674	56 2-10 2-DOOR SPORT COUPE	HARDTOP FRONT DOOR SET - 2 PCS	60.00	SET
675	56 2-10 2-DOOR SPORT COUPE	HARDTOP REAR QUARTERS - 2 PCS	60.00	SET
676	56 2-10 SPORT SEDAN	HARDTOP FRONT DOOR SET - 2 PCS	60.00	SET
677	56 2-10 SPORT SEDAN	HARDTOP REAR SET - 2 PCS	60.00	SET
678	56 2-10 2-DOOR SEDAN	FRONT DOOR SET - 2 PCS	60.00	SET
679	56 2-10 2-DOOR SEDAN	REAR QUARTERS SET - 2 PCS	60.00	SET

57 CHEVROLET STAINLESS SETS

750	57 BEL AIR 2-DOOR CONVERTIBLE	HARDTOP FRONT DOOR SET - 8 PCS	150.00	SET
752	57 BEL AIR 2-DOOR SEDAN	FRONT DOOR SET - 2 PCS	84.00	SET
753	57 BEL AIR 4-DOOR SEDAN	FRONT DOOR SET - 2 PCS	84.00	SET
754	57 BEL AIR 4-DOOR SPORT SEDAN	HARD TOP FRONT DOOR SET - 8 PCS	150.00	SET
755	57 NOMAD	FRONT DOOR SET - 8 PCS	150.00	SET
756	57 DEL RAY 2-DOOR CLUB COUPE	FRONT DOOR SET - 2 PCS	60.00	SET
757	57 2-10 2-DOOR SEDAN	FRONT DOOR SET - 6 PCS	120.00	SET
758	57 2-10 4-DOOR SEDAN	FRONT DOOR SET - 6 PCS	120.00	SET
759	57 BEL AIR 2-DOOR SPORT COUPE	HARDTOP COMPLETE SET - 12 PCS	240.00	SET
760	57 BEL AIR CONVERTIBLE	COMPLETE SET - 12 PCS	240.00	SET
761	57 BEL AIR 2-DOOR SEDAN	COMPLETE SET - 4 PCS	144.00	SET
762	57 BEL AIR 4-DOOR SPORT SEDAN	HARDTOP COMPLETE SET - 12 PCS	240.00	SET
763	57 NOMAD	COMPLETE SET - 12 PCS	240.00	SET
764	57 DEL RAY 2-DOOR CLUB COUPE	COMPLETE SET - 4 PCS	120.00	SET
765	57 2-10 4-DOOR SEDAN	COMPLETE SET - 8 PCS	192.00	SET
766	57 BEL AIR 4-DOOR SEDAN	COMPLETE SET - 4 PCS	144.00	SET
767	57 2-10 2-DOOR SEDAN	COMPLETE SET - 8 PCS	192.00	SET
768	57 BEL AIR 2 DOOR SPORT COUPE	HARDTOP REAR QUARTERS - 4 PCS	102.00	SET
769	57 BEL AIR CONVERTIBLE	REAR QUARTERS SET - 4 PCS	102.00	SET
770	57 BEL AIR 2 OR 4-DOOR SEDAN	REAR QUARTERS SET - 2 PCS	72.00	SET
772	57 BEL AIR 4-DOOR SPORT SEDAN	HARDTOP REAR SET - 4 PCS	102.00	SET
773	57 NOMAD	REAR QUARTERS SET - 4 PCS	102.00	SET
774	57 DEL RAY 2-DOOR CLUB COUPE	REAR QUARTERS SET - 2 PCS	60.00	SET
775	57 2-10 2-DOOR SEDAN	REAR QUARTERS SET - 2 PCS	72.00	SET
776	57 2-10 4-DOOR SEDAN	REAR DOOR SET - 2 PCS	72.00	SET



CHEVROLET STAINLESS PIECES

1	57 BEL AIR COUPE, CONVERTIBLE	FRONT DOOR UPPER	36.00	EACH
2-DR	57 COUPE, CVT, SP. SEDAN, NOMAD	FRONT DOOR LOWER FRONT	36.00	EACH
2-PA	57 COUPE, CVT, SP. SEDAN, NOMAD	FRONT DOOR LOWER FRONT	36.00	EACH
3-DR	57 BEL AIR COUPE ONLY	UPPER REAR ABOVE ARMREST	42.00	EACH
3-PA	57 BEL AIR COUPE ONLY	UPPER REAR ABOVE ARMREST	42.00	EACH
4-DR	57 BEL AIR COUPE, CVT, NOMAD	FRONT DOOR LOWER REAR	30.00	EACH
4-PA	57 BEL AIR COUPE, CVT, NOMAD	FRONT DOOR LOWER REAR	30.00	EACH
5-DR	57 BEL AIR COUPE ONLY	LOWER REAR BELOW ARMREST	36.00	EACH
5-PA	57 BEL AIR COUPE ONLY	LOWER REAR BELOW ARMREST	36.00	EACH
6-DR	57 BEL AIR CONVERTIBLE	UPPER REAR ABOVE ARMREST	42.00	EACH
6-PA	57 BEL AIR CONVERTIBLE	UPPER REAR ABOVE ARMREST	42.00	EACH
7-DR	57 BEL AIR 2 & 4-DOOR SEDAN	REAR QUARTER PANEL	42.00	EACH
7-PA	57 BEL AIR 2 & 4-DOOR SEDAN	REAR QUARTER PANEL	42.00	EACH
8-DR	57 BEL AIR 2-DOOR SEDAN	FRONT DOOR	54.00	EACH
8-PA	57 BEL AIR 2-DOOR SEDAN	FRONT DOOR	54.00	EACH
9	57 BEL AIR 4-DOOR SPORT	FRONT DOOR UPPER	36.00	EACH
10-DR	57 BEL AIR 4-DOOR SPORT	FRONT DOOR LOWER REAR	30.00	EACH
10-PA	57 BEL AIR 4-DOOR SPORT	FRONT DOOR LOWER REAR	30.00	EACH
11-DR	57 BEL AIR 4-DOOR SPORT	REAR DOOR UPPER	42.00	EACH
11-PA	57 BEL AIR 4-DOOR SPORT	REAR DOOR UPPER	42.00	EACH
12	57 BEL AIR 4-DOOR SPORT	REAR DOOR LOWER	36.00	EACH
13-DR	57 BEL AIR CONVERTIBLE	BELOW REAR ARMREST	36.00	EACH
13-PA	57 BEL AIR CONVERTIBLE	BELOW REAR ARMREST	36.00	EACH
14-DR	57 NOMAD	REAR QUARTER UPPER	42.00	EACH
14-PA	57 NOMAD	REAR QUARTER UPPER	42.00	EACH
15	57 NOMAD	REAR QUARTER LOWER	36.00	EACH
16	57 NOMAD	FRONT DOOR UPPER	36.00	EACH
17	55 NOMAD	FRONT DOOR LOWER	36.00	EACH
18	55 NOMAD	FRONT DOOR BOTTOM	42.00	EACH
19	55 NOMAD	FRONT DOOR, EMBOSSED	66.00	EACH
20	57 BEL AIR	JOINER CLIP	18.00	EACH
21	56 2-DOOR NOMAD	FRONT DOOR UPPER POINTED	36.00	EACH
22	55-56 2-DRS, COUPE, CVT, NOMAD	FRONT DOOR LOWER	36.00	EACH
23	56 2-DOOR SEDAN	REAR QUARTER UPPER	36.00	EACH
24	56 2-DOOR SEDAN	REAR QUARTER LOWER	24.00	EACH
25-DR	55 BEL AIR 2-DOOR, COUPE, CVT	FRONT DOOR UPPER CURVED	42.00	EACH
25-PA	55 BEL AIR 2-DOOR, COUPE, CVT	FRONT DOOR UPPER CURVED	42.00	EACH
26	55 BEL AIR 2-DOOR, 4-DOOR	FRONT DOOR UPPER SHORT	24.00	EACH
27-DR	55-56 2-DOOR SPORT COUPE	UPPER REAR ABOVE ARMREST	42.00	EACH
27-PA	55-56 2-DOOR SPORT COUPE	UPPER REAR ABOVE ARMREST	42.00	EACH



28	55-56 2-DOOR SPORT COUPE	LOWER REAR BELOW ARMREST	36.00	EACH
30	55 BEL AIR COUPE,CVT,2 & 4-DRS	FRONT DOOR JOINER CLIP	18.00	EACH
31-DR	55 DEL RAY 2-DOOR CLUB COUPE	FRONT DOOR TRIM	48.00	EACH
31-PA	55 DEL RAY 2-DOOR CLUB COUPE	FRONT DOOR TRIM	48.00	EACH
32	55 BEL AIR 2-DOOR AND DEL RAY	REAR QUARTER TRIM	36.00	EACH
33-DR	56 BEL AIR COUPE, CONVERTIBLE	DOOR UPPER CURVED POINTED	42.00	EACH
33-PA	56 BEL AIR COUPE, CONVERTIBLE	DOOR UPPER CURVED POINTED	42.00	EACH
34	55-56 2-DOOR CONVERTIBLE	LOWER REAR BELOW ARMREST	36.00	EACH
35-DR	55-56 2-DOOR CONVERTIBLE	UPPER REAR ABOVE ARMREST	42.00	EACH
35-PA	55-56 2-DOOR CONVERTIBLE	UPPER REAR ABOVE ARMREST	42.00	EACH
36	55-56 BELAIR AND 2-10	FRONT CUSHION MOULDING	42.00	EACH
37	56 NOMAD	REAR QUARTER UPPER	36.00	EACH
38	56 NOMAD	REAR QUARTER LOWER	30.00	EACH
39	56 BEL AIR SPORT SEDAN 4-DOOR	FRONT DOOR UPPER	36.00	EACH
40	56 BEL AIR SPORT SEDAN 4-DOOR	FRONT DOOR LOWER	36.00	EACH
41	56 BEL AIR SPORT SEDAN 4-DOOR	REAR DOOR UPPER	36.00	EACH
42	56 BEL AIR SPORT SEDAN 4-DOOR	REAR DOOR LOWER	30.00	EACH
43	57 BELAIR AND NOMAD, ALL	FRONT CUSHION MOULDING	42.00	EACH
44-DR	55 2-10 2-DOOR & WAGON	FRONT DOOR TRIM	48.00	EACH
44-PA	55 2-10 2-DOOR & WAGON	FRONT DOOR TRIM	48.00	EACH
45-DR	57 2-10 SERIES 2-DOOR	FRONT DOOR TRIM CURVED	42.00	EACH
45-PA	57 2-10 SERIES 2-DOOR	FRONT DOOR TRIM CURVED	42.00	EACH
46-DR	57 2-10 SERIES 4-DOOR	FRONT DOOR TRIM CURVED	42.00	EACH
46-PA	57 2-10 SERIES 4-DOOR	FRONT DOOR TRIM CURVED	42.00	EACH
47	57 2-10 SERIES 2 & 4 DOOR	FRONT DOOR TRIM UPPER	24.00	EACH
48	57 2-10 SERIES 4-DOOR	REAR DOOR TRIM	36.00	EACH
49	57 2-10 SERIES 2-DOOR	REAR QUARTER TRIM	36.00	EACH
50	57 2-10 SERIES 2 & 4 DOOR	FRONT DOOR JOINER CLIP	18.00	EACH
51	55 2-10 2-DOOR	REAR QUARTER 30" LONG	36.00	EACH
52	55 NOMAD	FRONT KICK PANEL TRIM	36.00	EACH
53-DR	55 NOMAD	FRONT DOOR UPPER CURVED	36.00	EACH
53-PA	55 NOMAD	FRONT DOOR UPPER CURVED	36.00	EACH
54	55 NOMAD	REAR QUARTER LOWER	36.00	EACH
55-DR	55 NOMAD	UPPER REAR QUARTER STRAIGHT	30.00	EACH
55-PA	55 NOMAD	UPPER REAR QUARTER STRAIGHT	30.00	EACH
56-DR	55 NOMAD	REAR QUARTER CURVED	42.00	EACH
56-PA	55 NOMAD	REAR QUARTER CURVED	42.00	EACH
57	55 NOMAD	REAR QUARTER JOINER CLIP	18.00	EACH
58-DR	55 NOMAD	FRONT DOOR UPPER EXTENSION	36.00	EACH
58-PA	55 NOMAD	FRONT DOOR UPPER EXTENSION	36.00	EACH
59-DR	55 NOMAD	REAR QUARTER UPPER EXTENSION	30.00	EACH



59-PA.....	55 NOMAD.....	REAR QUARTER UPPER EXTENSION	30.00	EACH
60-DR.....	57 BEL AIR 4-DOOR SEDAN.....	FRONT DOOR.....	54.00	EACH
60-PA.....	57 BEL AIR 4-DOOR SEDAN.....	FRONT DOOR.....	54.00	EACH
62-DR.....	55 BEL AIR 4-DOOR.....	FRONT DOOR CURVED.....	42.00	EACH
62-PA.....	55 BEL AIR 4-DOOR.....	FRONT DOOR CURVED.....	42.00	EACH
63.....	55 BEL AIR 4-DOOR.....	FRONT DOOR LOWER.....	36.00	EACH
64.....	55-56 BELAIR 4-DOOR.....	REAR DOOR UPPER.....	30.00	EACH
65.....	55-56 BELAIR 4-DOOR.....	REAR DOOR LOWER.....	30.00	EACH
66.....	56 BEL AIR 4-DOOR.....	FRONT DOOR UPPER.....	36.00	EACH
67.....	56 BEL AIR 4-DOOR.....	FRONT DOOR LOWER.....	36.00	EACH
68.....	55 BELAIR 4-DOOR SEDAN.....	REAR QUARTER BEHIND REAR DOOR .	18.00	EACH
69.....	56 BELAIR 4-DOOR SEDAN.....	REAR QUARTER BEHIND REAR DOOR .	18.00	EACH
70-DR.....	57 DEL RAY 2-DOOR CLUB COUPE ...	FRONT DOOR CURVED.....	42.00	EACH
70-PA.....	57 DEL RAY 2-DOOR CLUB COUPE ...	FRONT DOOR CURVED.....	42.00	EACH
71-DR.....	57 DEL RAY 2-DOOR CLUB COUPE ...	REAR QUARTER CURVED.....	42.00	EACH
71-PA.....	57 DEL RAY 2-DOOR CLUB COUPE ...	REAR QUARTER CURVED.....	42.00	EACH
72-DR.....	56 2-10 2-DOOR SEDAN.....	FRONT DOOR CURVED.....	42.00	EACH
72-PA.....	56 2-10 2-DOOR SEDAN.....	FRONT DOOR CURVED.....	42.00	EACH
73-DR.....	56 2-10 2-DOOR SEDAN.....	REAR QUARTER CURVED.....	42.00	EACH
73-PA.....	56 2-10 2-DOOR SEDAN.....	REAR QUARTER CURVED.....	42.00	EACH
74-DR.....	56 2-10 2-DOOR SPORT COUPE	FRONT DOOR CURVED.....	42.00	EACH
74-PA.....	56 2-10 2-DOOR SPORT COUPE	FRONT DOOR CURVED.....	42.00	EACH
75-DR.....	56 2-10 2-DOOR SPORT COUPE	REAR QUARTER UPPER.....	42.00	EACH
75-PA.....	56 2-10 2-DOOR SPORT COUPE	REAR QUARTER UPPER.....	42.00	EACH
76-DR.....	56 2-10 4-DOOR SPORT SEDAN.....	FRONT DOOR CURVED.....	42.00	EACH
76-PA.....	56 2-10 4-DOOR SPORT SEDAN.....	FRONT DOOR CURVED.....	42.00	EACH
77-DR.....	56 2-10 4-DOOR SPORT SEDAN.....	REAR DOOR CURVED.....	42.00	EACH
77-PA.....	56 2-10 4-DOOR SPORT SEDAN.....	REAR DOOR CURVED.....	42.00	EACH
78-DR.....	56 DEL RAY 2-DOOR CLUB COUPE ...	FRONT DOOR CURVED.....	42.00	EACH
78-PA.....	56 DEL RAY 2-DOOR CLUB COUPE ...	FRONT DOOR CURVED.....	42.00	EACH
79.....	56 DEL RAY 2-DOOR CLUB COUPE ...	REAR QUARTER STRAIGHT.....	36.00	EACH



