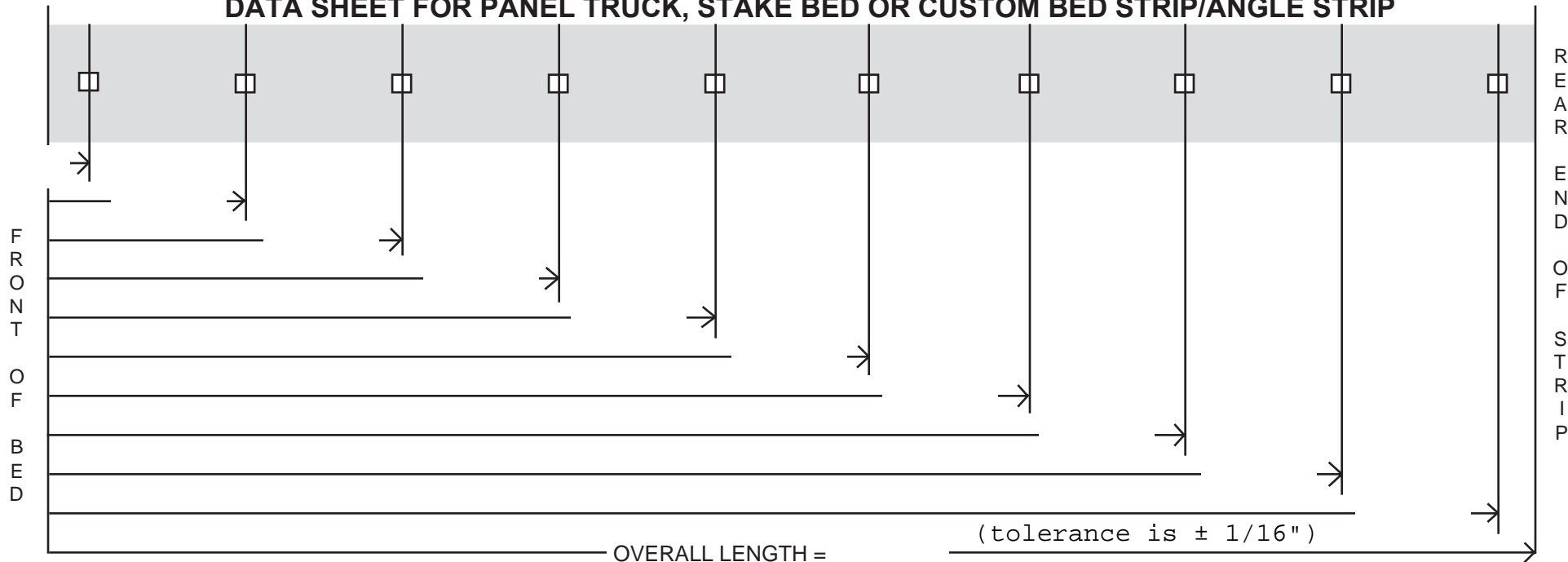


DATA SHEET FOR PANEL TRUCK, STAKE BED OR CUSTOM BED STRIP/ANGLE STRIP



ALL ITEMS MUST BE FILLED OUT BEFORE WE CAN HELP

1. MEASURE THE LENGTH OF BED STRIPS
2. MEASURE FROM THE FRONT OF THE BED TO THE CENTER OF EACH HOLE.
IF ORIGINAL STRIPS NOT AVAILABLE, START AT THE FRONT BED PANEL AND MEASURE THE DISTANCE TO EACH CROSS SILL HOLE AND ANY OTHER HOLE LOCATIONS.

3. WHICH HOLE SIZE ? 5/16" OR 1/4" _____
4. HOW MANY STRIPS ? _____ TYPE OF STRIPS:
5. WHAT MATERIAL ? (CHECK ONE)
 POLISHED STAINLESS _____ UNPOLISHED STAINLESS _____
 COLD ROLLED STEEL _____
6. THESE STRIPS ARE FOR : YEAR _____ MAKE / MODEL _____

7. THIS FORM IS TO BE USED FOR : (CHECK ONE)

- _____ **I AM PLACING AN ORDER** (MONEY IS ENCLOSED OR ON THE WAY)
IF YOU ARE PLACING AN ORDER CALL FOR SHIPPING CHARGES
- _____ I WOULD LIKE AN ESTIMATE
- _____ I NEED MORE INFORMATION / PLEASE CONTACT ME (CIRCLE ONE)

BY PHONE TIME _____ EMAIL FAX MAIL

SHIP TO: COMPANY _____

NAME _____

ADDRESS _____

CITY _____

STATE _____ ZIP _____

PHONE _____ AM/PM

FAX _____

EMAIL _____

- STRIPS UP TO AND INCLUDING 107 3/4" IN LENGTH ARE SHIPPED UPS.
- LENGTHS OVER 107 3/4" MUST BE SHIPPED BY TRUCK. (FREIGHT PREPAID).
- PARTS ARE SHIPPED WITHIN 10-15 BUSINESS DAYS FOLLOWING RECEIPT OF PAYMENT. ALLOW 10 ADDITIONAL BUSINESS DAYS IF PAYING BY PERSONAL CHECK.
- CUSTOM PARTS ARE NOT RETURNABLE.

TO ORDER CALL 1-405-721-7945.....FAX 1-405-721-8906...www.mar-k.com
 OR MAIL TO 6625 WEST WILSHIRE BLVD, OKLAHOMA CITY, OK 73132