

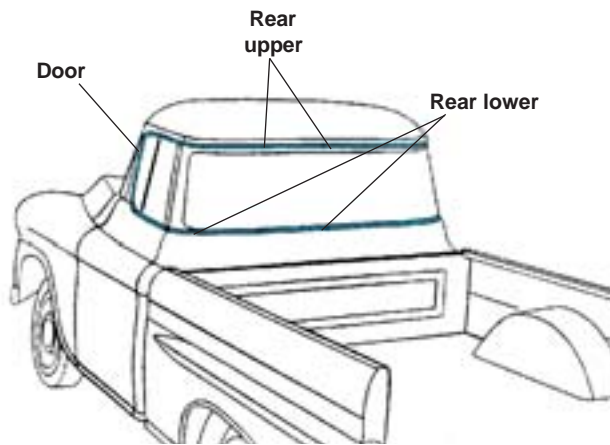
### MOULDINGS-

- We make most of these mouldings *in Oklahoma City, USA.*
- **MAR-K** maintains stock of many stainless and aluminum mouldings for the 55-59 and 62-72 GM and 68-72 Ford pickups.
- Also available are the many special clips and fasteners needed to attach the mouldings for 62-72 GM trucks. **MAR-K** supplies many of the replacement mouldings and clips when they are discontinued by GM, so you can rely on us to supply your needs.
- We stock lower body mouldings in woodgrain and black accents for 69-72 GM Fleetsides, Blazers and Suburbans. See pages 63-65.



Many of the later model mouldings must be taped and painted with accent stripes to match original mouldings.

### 55-59 GM MOULDINGS NO CLIPS



The set consists of six stainless trims which fit around the two side windows, and the rear window.

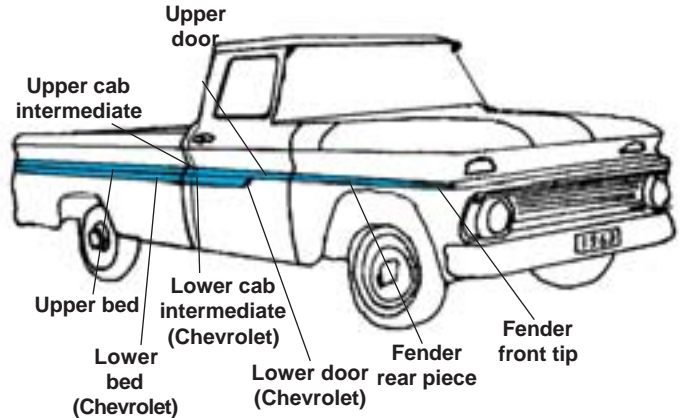
#### 55 2nd-59 Cab Mouldings without Clips

Sold as a set, or by the piece - clips not available.

CABTRIM COMPLETE CAB TRIM NO CLIPS ..... \$75.00 set

C140100	CAB TRIM DOOR TRIM LH/DR NO CLIPS .....	\$37.50 ea
C140101	CAB TRIM DOOR TRIM RH/PA NO CLIPS .....	37.50 ea
C140104	CAB TRIM REAR LOWER LH/DR NO CLIPS .....	18.75 ea
C140105	CAB TRIM REAR LOWER RH/PA NO CLIPS .....	18.75ea
C140102	CAB TRIM REAR UPPER LH/DR NO CLIPS .....	18.75 ea
C140103	CAB TRIM REAR UPPER RH/PA NO CLIPS .....	18.75 ea
140106	REVEAL MLDG CAP (WINDSHIELD CLIP-4/TRUCK) ..	3.00 ea

### 62-66 GM FLEETSIDE MOULDINGS



These aluminum mouldings are available by the piece or set. The trims are installed by clips which slide into the trim, then the trim is pressed or bolted on the truck. Complete clip kits are also available.

#### 62-66 GM Fleetside Body Mouldings with Clips

Sold as a set or by the piece - clips are included with both.

103100	COMPLETE BODY SIDE-SHORT BED, CHEVY ..	\$374.00 set
103114	COMPLETE BODY SIDE-SHORT BED, GMC .....	204.00 set
103101	COMPLETE BODY SIDE-LONG BED, CHEVY .....	386.00 set
103115	COMPLETE BODY SIDE-LONG BED, GMC .....	216.00 set
K101201	COMPLETE SIDE CLIPS -SHORT BED, CHEVY ....	47.00 kit
K101208	COMPLETE SIDE CLIPS -SHORT BED, GMC .....	20.00 kit
K101200	COMPLETE SIDE CLIPS -LONG BED, CHEVY .....	50.00 kit
K101209	COMPLETE SIDE CLIPS -LONG BED, GMC .....	25.00 kit

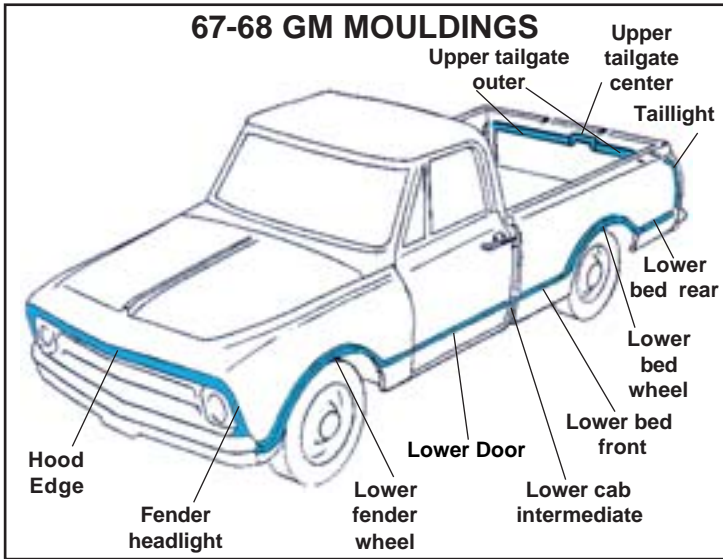
### MOULDING CLIPS FOR 62-72 GM TRUCKS



**MAR-K** offers many hard to find moulding clips. Clips are included for installation or may be purchased separately for replacement. Call our sales staff for individual clip prices.

102225	FENDER FRONT TIP .....	\$16.00 ea
102226	FENDER REAR PIECE .....	23.00 ea
102220	LOWER DOOR LH/DR, CHEVROLET .....	23.00 ea
102219	LOWER DOOR RH/PA, CHEVROLET .....	23.00 ea
400100	LOWER CAB INTERMEDIATE, CHEVROLET .....	12.00 ea
102223	LOWER BED-SHORT BED, CHEVROLET .....	50.00 ea
102224	LOWER BED-LONG BED, CHEVROLET .....	50.00 ea
102218	UPPER DOOR .....	20.00 ea
102255	UPPER CAB INTERMEDIATE LH/DR .....	13.00 ea
102256	UPPER CAB INTERMEDIATE RH/PA .....	13.00 ea
102221	UPPER BED-SHORT BED .....	30.00 ea
102222	UPPER BED-LONG BED .....	36.00 ea





Aluminum mouldings to accent the lower body lines of the Fleetside are sold by the set or piece. Attachment clips and hardware are included with each part.

**67-68 GM Mouldings with Clips**

Sold as a set or by the piece - clips included with both

103136	COMPLETE BODY LOWER SIDE-SHORT BED	.....	\$537.00	set
103137	COMPLETE BODY LOWER SIDE-LONG BED	.....	557.00	set
K101216	COMPLETE CLIPS LOWER SIDE-SHORT BED	.....	40.00	kit
K101217	COMPLETE CLIPS LOWER SIDE-LONG BED	.....	45.00	kit

102251	LOWER FENDER WHEEL LH/DR	.....	90.00	ea
102252	LOWER FENDER WHEEL RH/PA	.....	90.00	ea
102235	LOWER DOOR LH/DR	.....	35.00	ea
102234	LOWER DOOR RH/PA	.....	35.00	ea
102237	LOWER CAB INTERMEDIATE LH/DR	.....	25.00	ea
102236	LOWER CAB INTERMEDIATE RH/PA	.....	25.00	ea
102239	LOWER BED FRONT LH/DR-SHORT BED	.....	30.00	ea
102240	LOWER BED FRONT RH/PA-SHORT BED	.....	30.00	ea
102241	LOWER BED FRONT LH/DR-LONG BED	.....	35.00	ea
102242	LOWER BED FRONT RH/PA-LONG BED	.....	35.00	ea
102243	LOWER BED WHEEL LH/DR	.....	58.00	ea
102244	LOWER BED WHEEL RH/PA	.....	58.00	ea
102245	LOWER BED REAR LH/DR-SHORT BED	.....	30.00	ea
102246	LOWER BED REAR RH/PA-SHORT BED	.....	30.00	ea
102247	LOWER BED REAR LH/DR-LONG BED	.....	35.00	ea
102248	LOWER BED REAR RH/PA-LONG BED	.....	35.00	ea
102230	UPPER TAILGATE CENTER	.....	20.00	ea
102231	UPPER TAILGATE OUTER LH/DR	.....	15.00	ea
102232	UPPER TAILGATE OUTER RH/PA	.....	15.00	ea

**67-72 Fleetside Upper Tailgate Custom Full Width**

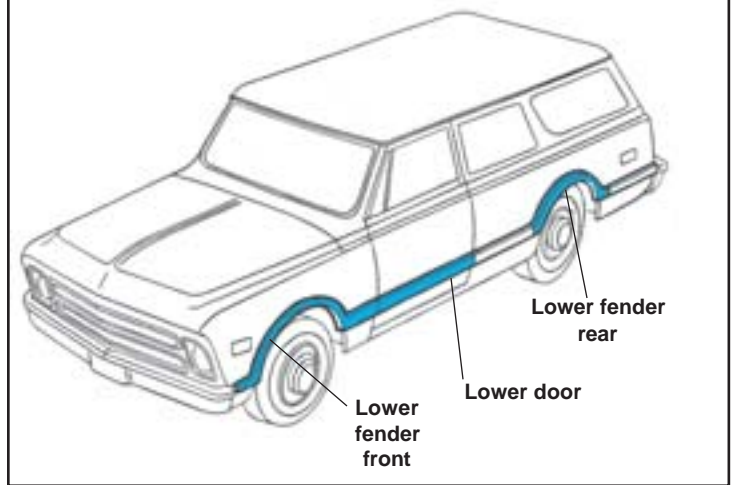


Custom, full-width, aluminum moulding that fits along the upper portion of the tailgate. Replaces the upper left hand, right hand and center mouldings for a custom look. Use this piece with a tailgate cover or other

custom applications where the handle hole on the outside of the tailgate has been eliminated. Includes clips for attachment.

102524	CUSTOM FULL WIDTH WITH CLIPS	.....	\$50.00	ea
--------	------------------------------	-------	---------	----

**67-68 GM SUBURBAN MOULDINGS**



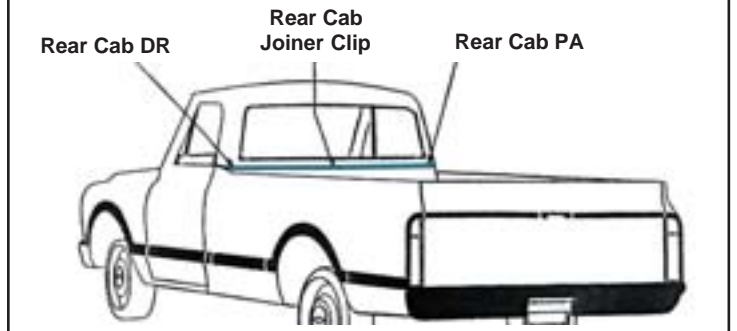
Aluminum mouldings to accent the lower body lines of the Suburban are sold by the piece. Attachment clips and hardware are included with each part.

**67-68 GM Suburban Mouldings with Clips**

Sold by the piece - clips included with both

102251	LOWER FENDER WHEEL LH/DR	.....	90.00	ea
102252	LOWER FENDER WHEEL RH/PA	.....	90.00	ea
102235	LOWER DOOR LH/DR	.....	35.00	ea
102234	LOWER DOOR RH/PA	.....	35.00	ea
102243	LOWER BED WHEEL LH/DR	.....	58.00	ea
102244	LOWER BED WHEEL RH/PA	.....	58.00	ea

**67-72 GM REAR CAB MOULDINGS**

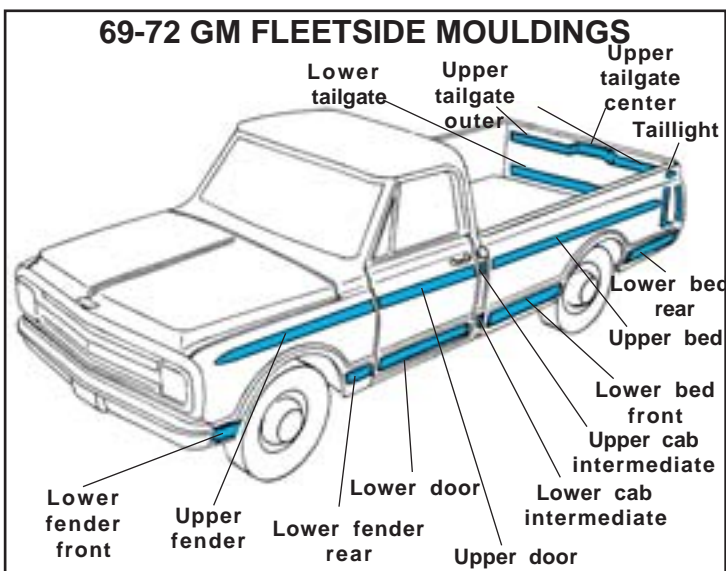


**67-72 GM REAR CAB MOULDINGS**

These stainless steel mouldings go on the back of the cab, usually on two-toned painted trucks where the two colors meet. Sold by the set or piece, specify driver, passenger, or joiner clip. Six nylon attachment clips are included with each trim. The small screw-in studs are used for trucks without the original welded studs for attachment and are sold separately.

**67-72 GM Rear Cab Mouldings**

103138	COMPLETE SET WITH CLIPS	.....	\$65.00	set
3917809	REAR CAB LH/DR WITH CLIPS	.....	30.00	ea
3917810	REAR CAB RH/PA WITH CLIPS	.....	30.00	ea
3901478	REAR CAB JOINER CLIP	.....	5.00	ea
C100339	SCREW-IN STUD	.....	0.10	ea



### 69-72 GM Mouldings with Clips (continued)

Sold by the piece - clips included with each trim

\*Lower Fender Front and Lower Cab Intermediate Mouldings purchased from an outside vendor.

102169	LOWER FENDER FRONT LH/DR-BLACK*	.....	\$35.00	ea
102175	LOWER FENDER FRONT RH/PA-BLACK*	.....	29.00	ea
102200	LOWER FENDER FRONT LH/DR-WOOD*	.....	38.00	ea
102206	LOWER FENDER FRONT RH/PA-WOOD*	.....	32.00	ea
102170	LOWER FENDER REAR LH/DR-BLACK	.....	30.00	ea
102176	LOWER FENDER REAR RH/PA-BLACK	.....	30.00	ea
102201	LOWER FENDER REAR LH/DR-WOOD	.....	34.00	ea
102207	LOWER FENDER REAR RH/PA-WOOD	.....	34.00	ea
102296	LOWER DOOR LH/DR-BLACK	69-70 GM	48.00	ea
102298	LOWER DOOR RH/PA-BLACK	69-70 GM	48.00	ea
102297	LOWER DOOR LH/DR-WOOD	69-70 GM	62.00	ea
102299	LOWER DOOR RH/PA-WOOD	69-70 GM	62.00	ea
102171	LOWER DOOR LH/DR-BLACK	71-72 GM	48.00	ea
102177	LOWER DOOR RH/PA-BLACK	71-72 GM	48.00	ea
102202	LOWER DOOR LH/DR-WOOD	71-72 GM	62.00	ea
102208	LOWER DOOR RH/PA-WOOD	71-72 GM	62.00	ea
102172	LOWER CAB INTERMEDIATE LH/DR-BLACK*	.....	50.00	ea
102178	LOWER CAB INTERMEDIATE RH/PA-BLACK*	.....	50.00	ea
102203	LOWER CAB INTERMEDIATE LH/DR-WOOD*	.....	56.00	ea
102209	LOWER CAB INTERMEDIATE RH/PA-WOOD*	.....	56.00	ea
102101	LOWER BED FRONT LH/DR-BL	69-70 GM SHORT	33.00	ea
102103	LOWER BED FRONT RH/PA-BL	69-70 GM SHORT	33.00	ea
102102	LOWER BED FRONT LH/DR-WD	69-70 GM SHORT	45.00	ea
102104	LOWER BED FRONT RH/PA-WD	69-70 GM SHORT	45.00	ea
102109	LOWER BED FRONT LH/DR-BL	69-70 GM LONG	45.00	ea
102091	LOWER BED FRONT RH/PA-BL	69-70 GM LONG	45.00	ea
102110	LOWER BED FRONT LH/DR-WD	69-70 GM LONG	55.00	ea
102092	LOWER BED FRONT RH/PA-WD	69-70 GM LONG	55.00	ea
102097	LOWER BED FRONT LH/DR-BL	69-70 GM LHRN	48.00	ea
102099	LOWER BED FRONT RH/PA-BL	69-70 GM LHRN	48.00	ea
102098	LOWER BED FRONT LH/DR-WD	69-70 GM LHRN	60.00	ea
102090	LOWER BED FRONT RH/PA-WD	69-70 GM LHRN	60.00	ea
102173	LOWER BED FRONT LH/DR-BL	71-72 GM SHORT	33.00	ea
102179	LOWER BED FRONT RH/PA-BL	71-72 GM SHORT	33.00	ea
102204	LOWER BED FRONT LH/DR-WD	71-72 GM SHORT	45.00	ea
102210	LOWER BED FRONT RH/PA-WD	71-72 GM SHORT	45.00	ea
102181	LOWER BED FRONT LH/DR-BL	71-72 GM LONG	45.00	ea
102229	LOWER BED FRONT RH/PA-BL	71-72 GM LONG	45.00	ea
102212	LOWER BED FRONT LH/DR-WD	71-72 GM LONG	55.00	ea
102216	LOWER BED FRONT RH/PA-WD	71-72 GM LONG	55.00	ea
102189	LOWER BED FRONT LH/DR-BL	71-72 GM LHRN	48.00	ea
102182	LOWER BED FRONT RH/PA-BL	71-72 GM LHRN	48.00	ea
102188	LOWER BED FRONT LH/DR-WD	71-72 GM LHRN	60.00	ea
102186	LOWER BED FRONT RH/PA-WD	71-72 GM LHRN	60.00	ea
102105	LOWER BED REAR LH/DR-BL	69-70 GM SHORT	31.00	ea
102107	LOWER BED REAR RH/PA-BL	69-70 GM SHORT	31.00	ea
102106	LOWER BED REAR LH/DR-WD	69-70 GM SHORT	44.00	ea

**MAR-K** makes upper and lower side body and tailgate mouldings. Plastic or metal attachment clips are included with each part or may be purchased separately for replacement. See below for an explanation on bolt on vs. adhesive clips.

### 69-72 GM Mouldings with Clips

Sold as a set or by the piece - clips included with both

103122	LOWER BODY-BLACK	69-70 GM SHORT BED	.....	\$448.00	set
103123	LOWER BODY-WOOD	69-70 GM SHORT BED	.....	552.00	set
103124	LOWER BODY-BLACK	69-70 GM LONG BED	.....	498.00	set
103125	LOWER BODY-WOOD	69-70 GM LONG BED	.....	580.00	set
103128	LOWER BODY-BLACK	69-70 GM LONG W/TLBX ..	584.00	set	
103130	LOWER BODY-WOOD	69-70 GM LONG W/TLBX ..	676.00	set	
103126	LOWER BODY-BLACK	69-70 GM LONGHORN	.....	504.00	set
103127	LOWER BODY-WOOD	69-70 GM LONGHORN	.....	590.00	set
103129	LOWER BODY-BLACK	69-70 GM LHORN W/TLBX	592.00	set	
103131	LOWER BODY-WOOD	69-70 GM LHORN W/TLBX	686.00	set	
103108	LOWER BODY-BLACK	71-72 GM SHORT BED	.....	448.00	set
103109	LOWER BODY-WOOD	71-72 GM SHORT BED	.....	552.00	set
103110	LOWER BODY-BLACK	71-72 GM LONG BED	.....	498.00	set
103111	LOWER BODY-WOOD	71-72 GM LONG BED	.....	580.00	set
103132	LOWER BODY-BLACK	71-72 GM LONG W/TLBX ..	584.00	set	
103134	LOWER BODY-WOOD	71-72 GM LONG W/TLBX ..	676.00	set	
103112	LOWER BODY-BLACK	71-72 GM LONGHORN	.....	504.00	set
103113	LOWER BODY-WOOD	71-72 GM LONGHORN	.....	590.00	set
103133	LOWER BODY-BLACK	71-72 GM LHORN W/TLBX	592.00	set	
103135	LOWER BODY-WOOD	71-72 GM LHORN W/TLBX	686.00	set	
103102	UPPER BODY SIDE	69-70 GM SHORT BED	.....	371.00	set
103103	UPPER BODY SIDE	69-70 GM LONG BED	.....	389.00	set
103104	UPPER BODY SIDE	69-70 GM LONGHORN	.....	403.00	set
103105	UPPER BODY SIDE	71-72 GM SHORT BED	.....	339.00	set
103106	UPPER BODY SIDE	71-72 GM LONG BED	.....	349.00	set
103107	UPPER BODY SIDE	71-72 GM LONGHORN	.....	359.00	set
K102580	CLIPS FOR UPPER SIDE	69-70 GM SHORT BED	.....	67.00	kit
K102581	CLIPS FOR UPPER SIDE	69-70 GM LONG BED	.....	78.00	kit
K102611	CLIPS FOR UPPER SIDE	69-70 GM LONGHORN	.....	83.00	kit
K102578	CLIPS FOR UPPER SIDE	71-72 GM SHORT	.....	35.00	kit
K102579	CLIPS FOR UPPER SIDE	71-72 GM LONG	.....	38.00	kit
K102763	CLIPS FOR UPPER SIDE	71-72 GM LONGHORN	.....	39.00	kit
K101218	CLIPS FOR LWR BODY	69-70 GM SHORT BED	.....	102.00	kit
K101219	CLIPS FOR LWR BODY	69-70 GM LONG BED	.....	114.00	kit
K101228	CLIPS FOR LWR BODY	69-70 GM LONG W/TLBX ..	111.00	kit	
K101220	CLIPS FOR LWR BODY	69-70 GM LONGHORN	.....	120.00	kit
K101229	CLIPS FOR LWR BODY	69-70 GM LHORN W/TLBX	120.00	kit	
K101223	CLIPS FOR LWR BODY	71-72 GM SHORT	.....	102.00	kit
K101224	CLIPS FOR LWR BODY	71-72 GM LONG	.....	114.00	kit
K101230	CLIPS FOR LWR BODY	71-72 GM LONG W/TLBX ..	111.00	kit	
K101225	CLIPS FOR LWR BODY	71-72 GM LONGHORN	.....	120.00	kit
K101231	CLIPS FOR LWR BODY	71-72 GM LHORN W/TLBX	120.00	kit	

### BOLT ON VS ADHESIVE CLIPS

For 69-70 GM Fleetsides, side mouldings are attached entirely by screws or metal clips inside the mouldings. Each clip requires a hole drilled in the body and is held in the hole by either a stud and nut or a "push-in" snap type retainer. In the 71-72 model years, side mouldings are attached by a combination of metal clips and plastic retainers with adhesive. The metal clips are usually at the ends of the mouldings and the plastic retainers in the center. Holes are not drilled for the plastic retainers but are needed for the metal clips. **MAR-K** makes both types of moulding attachments. The mouldings come with clips according to the year specified. Prices may vary depending on the type of clip kit and the clips included.

# MAR-K

## MOULDINGS

### GM 69-72

#### 69-72 GM Mouldings with Clips (continued)

Sold by the piece - clips included with each trim

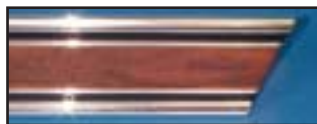
102108	LOWER BED REAR RH/PA-WD 69-70 GM SHORT	.....	\$44.00 ea
102093	LOWER BED REAR LH/DR-BL 69-70 GM LONG/LHN	.	44.00 ea
102095	LOWER BED REAR RH/PA-BL 69-70 GM LONG/LHN	.	44.00 ea
102094	LOWER BED REAR LH/DR-WD 69-70 GM LONG/LHN	.	48.00 ea
102096	LOWER BED REAR RH/PA-WD 69-70 GM LONG/LHN	.	48.00 ea
102174	LOWER BED REAR LH/DR-BL 71-72 GM SHORT	.....	31.00 ea
102180	LOWER BED REAR RH/PA-BL 71-72 GM SHORT	.....	31.00 ea
102205	LOWER BED REAR LH/DR-WD 71-72 GM SHORT	.....	44.00 ea
102211	LOWER BED REAR RH/PA-WD 71-72 GM SHORT	.....	44.00 ea
102183	LOWER BED REAR LH/DR-BL 71-72 GM LONG/LHN	.	44.00 ea
102187	LOWER BED REAR RH/PA-BL 71-72 GM LONG/LHN	.	44.00 ea
102214	LOWER BED REAR LH/DR-WD 71-72 GM LONG/LHN	.	48.00 ea
102217	LOWER BED REAR RH/PA-WD 71-72 GM LONG/LHN	.	48.00 ea
102162	UPPER FENDER RH/LH	.....	35.00 ea
102501	UPPER DOOR LH/DR 69-70 GM	.....	40.00 ea
102500	UPPER DOOR RH/PA 69-70 GM	.....	40.00 ea
102161	UPPER DOOR LH/DR 71-72 GM	.....	40.00 ea
102165	UPPER DOOR RH/PA 71-72 GM	.....	40.00 ea
102163	UPPER CAB INTERMEDIATE LH/DR	.....	30.00 ea
102167	UPPER CAB INTERMEDIATE RH/PA	.....	30.00 ea
102497	UPPER BED 69-70 GM SHORT BED	.....	80.00 ea
102498	UPPER BED 69-70 GM LONG BED	.....	89.00 ea
102499	UPPER BED 69-70 GM LONGHORN	.....	96.00 ea
102164	UPPER BED 71-72 GM SHORT BED	.....	64.00 ea
102168	UPPER BED 71-72 GM LONG BED	.....	69.00 ea
102166	UPPER BED 71-72 GM LONGHORN	.....	74.00 ea
102233	LOWER TAILGATE	.....	26.00 ea
102230	UPPER TAILGATE CENTER	.....	20.00 ea
102231	UPPER TAILGATE OUTER LH/DR	.....	15.00 ea
102232	UPPER TAILGATE OUTER RH/PA	.....	15.00 ea
102271	TAILLIGHT LH/DR	.....	20.00 ea
102270	TAILLIGHT RH/PA	.....	20.00 ea

#### TOOLBOX MOULDINGS



BLACK ACCENT FINISH

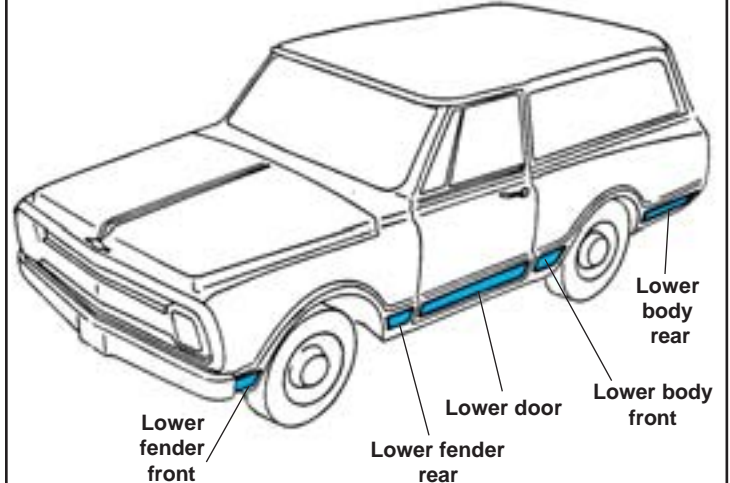
Lower bed side mouldings for 69-72 Chevy and GMC are available from **MAR-K**. These parts include the lower mouldings for the long bed and Longhorn with the optional passenger side tool box as shown above. Available in black or woodgrain finish.



WOODGRAIN ACCENT FINISH

102228	LOWER FRONT OF TOOLBOX LONG BED-BLACK	....	\$30.00 ea
102281	LOWER FRONT OF TOOLBOX LONG BED-WOOD	.....	35.00 ea
102238	LOWER FRONT OF TOOLBOX LONGHORN-BLACK	....	35.00 ea
102282	LOWER FRONT OF TOOLBOX LONGHORN-WOOD	....	40.00 ea
102185	LOWER REAR OF TOOLBOX LONG/LHRN-BK	.....	30.00 ea
102213	LOWER REAR OF TOOLBOX LONG/LHRN-WD	.....	35.00 ea
102215	LOWER TOOLBOX LID LONG/LHRN-BLACK	.....	71.00 ea
102227	LOWER TOOLBOX LID LONG/LHRN-WOOD	.....	81.00 ea

#### 69-72 GM BLAZER MOULDINGS



**MAR-K** side trims have black painted or wood grain accents. Plastic and metal attachment clips are included with each part or may be purchased separately for replacement. See page 63 for an explanation on bolt on vs. adhesive clips.

#### 69-72 GM Blazer Mouldings with Clips

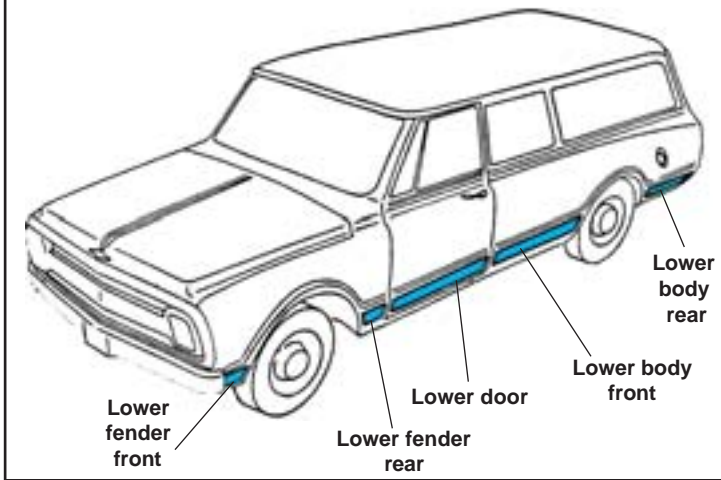
Sold as a set or by the piece - clips included with both

\*Lower Fender Front Moulding purchased from an outside vendor.

103119	COMPLETE LOWER SIDE-BLACK 69-70 GM	.....	\$342.00 set
103120	COMPLETE LOWER SIDE-WOOD 69-70 GM	.....	430.00 set
103116	COMPLETE LOWER SIDE-BLACK 71-72 GM	.....	342.00 set
103117	COMPLETE LOWER SIDE-WOOD 71-72 GM	.....	430.00 set
K101221	COMPLETE CLIPS LOWER SIDE 69-70 GM	.....	84.00 kit
K101226	COMPLETE CLIPS LOWER SIDE 71-72 GM	.....	84.00 kit

102169	LOWER FENDER FRONT LH/DR-BLACK*	.....	\$35.00 ea
102175	LOWER FENDER FRONT RH/PA-BLACK*	.....	29.00 ea
102200	LOWER FENDER FRONT LH/DR-WOOD*	.....	38.00 ea
102206	LOWER FENDER FRONT RH/PA-WOOD*	.....	32.00 ea
102170	LOWER FENDER REAR LH/DR-BLACK	.....	30.00 ea
102176	LOWER FENDER REAR RH/PA-BLACK	.....	30.00 ea
102201	LOWER FENDER REAR LH/DR-WOOD	.....	34.00 ea
102207	LOWER FENDER REAR RH/PA-WOOD	.....	34.00 ea
102296	LOWER DOOR LH/DR-BLACK	69-70 GM	.... 48.00 ea
102298	LOWER DOOR RH/PA-BLACK	69-70 GM	.... 48.00 ea
102297	LOWER DOOR LH/DR-WOOD	69-70 GM	.... 62.00 ea
102299	LOWER DOOR RH/PA-WOOD	69-70 GM	.... 62.00 ea
102171	LOWER DOOR LH/DR-BLACK	71-72 GM	.... 48.00 ea
102177	LOWER DOOR RH/PA-BLACK	71-72 GM	.... 48.00 ea
102202	LOWER DOOR LH/DR-WOOD	71-72 GM	.... 62.00 ea
102208	LOWER DOOR RH/PA-WOOD	71-72 GM	.... 62.00 ea
102081	LOWER BODY FRONT LH/DR-BLACK 69-70 GM	....	30.00 ea
102082	LOWER BODY FRONT RH/PA-BLACK 69-70 GM	....	30.00 ea
102083	LOWER BODY FRONT LH/DR-WOOD 69-70 GM	....	40.00 ea
102084	LOWER BODY FRONT RH/PA-WOOD 69-70 GM	....	40.00 ea
102287	LOWER BODY FRONT LH/DR-BLACK 71-72 GM	....	30.00 ea
102288	LOWER BODY FRONT RH/PA-BLACK 71-72 GM	....	30.00 ea
102289	LOWER BODY FRONT LH/DR-WOOD 71-72 GM	....	40.00 ea
102290	LOWER BODY FRONT RH/PA-WOOD 71-72 GM	....	40.00 ea
102105	LOWER BODY REAR LH/DR-BLACK 69-70 GM	....	31.00 ea
102107	LOWER BODY REAR RH/PA-BLACK 69-70 GM	....	31.00 ea
102106	LOWER BODY REAR LH/DR-WOOD 69-70 GM	....	44.00 ea
102108	LOWER BODY REAR RH/PA-WOOD 69-70 GM	....	44.00 ea
102174	LOWER BODY REAR LH/DR-BLACK 71-72 GM	....	31.00 ea
102180	LOWER BODY REAR RH/PA-BLACK 71-72 GM	....	31.00 ea
102205	LOWER BODY REAR LH/DR-WOOD 71-72 GM	....	44.00 ea
102211	LOWER BODY REAR RH/PA-WOOD 71-72 GM	....	44.00 ea
102233	LOWER TAILGATE	.....	26.00 ea
102230	UPPER TAILGATE CENTER	.....	20.00 ea
102231	UPPER TAILGATE OUTER LH/DR	.....	15.00 ea
102232	UPPER TAILGATE OUTER RH/PA	.....	15.00 ea
102271	TAILLIGHT LH/DR	.....	20.00 ea
102270	TAILLIGHT RH/PA	.....	20.00 ea

## 69-72 GM SUBURBAN MOULDINGS



These include the lower side door and body mouldings and the passenger rear door moulding. **MAR-K** trims have black painted accents. Plastic and metal attachment clips are included with each part or may be purchased separately for replacement. See page 63 for an explanation on bolt on vs. adhesive clips.

### 69-72 GM Suburban Mouldings with Clips

Sold as a set or by the piece - clips included with both.

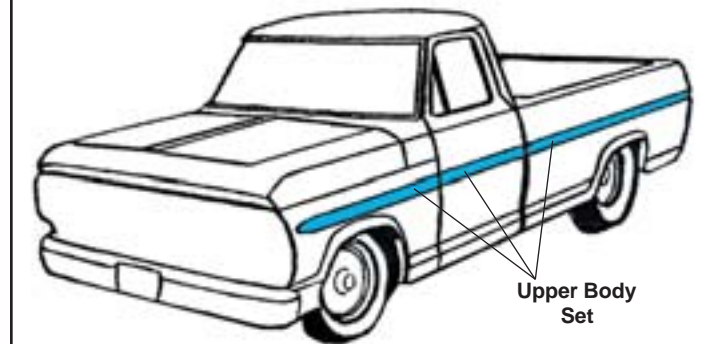
\*Lower Fender Front Moulding purchased from an outside vendor.

103121	COMPLETE LOWER SIDE-BLACK 69-70 GM .....	\$445.00	set
103118	COMPLETE LOWER SIDE-BLACK 71-72 GM .....	445.00	set
K101222	COMPLETE CLIPS LOWER SIDE 69-70 GM .....	126.00	kit
K101227	COMPLETE CLIPS LOWER SIDE 71-72 GM .....	126.00	kit

102169	LOWER FENDER FRONT LH/DR-BLACK*	.....	\$35.00	ea
102175	LOWER FENDER FRONT RH/PA-BLACK*	.....	29.00	ea
102170	LOWER FENDER REAR LH/DR-BLACK .....	.....	30.00	ea
102176	LOWER FENDER REAR RH/PA-BLACK .....	.....	30.00	ea
102296	LOWER DOOR LH/DR-BLACK	69-70 GM ....	48.00	ea
102298	LOWER DOOR RH/PA-BLACK	69-70 GM ....	48.00	ea
102171	LOWER DOOR LH/DR-BLACK	71-72 GM ....	48.00	ea
102177	LOWER DOOR RH/PA-BLACK	71-72 GM ....	48.00	ea
102086	LOWER BODY FRONT LH/DR-BLACK 69-70 GM ....	.....	50.00	ea
102087	LOWER BODY FRONT RH/PA-BLACK 69-70 GM ....	.....	35.00	ea
102292	LOWER BODY FRONT LH/DR-BLACK 71-72 GM ....	.....	50.00	ea
102293	LOWER BODY FRONT RH/PA-BLACK 71-72 GM ....	.....	35.00	ea
102088	LOWER BODY REAR LH/DR-BLACK	69-70 GM ....	45.00	ea
102089	LOWER BODY REAR RH/PA-BLACK	69-70 GM ....	45.00	ea
102294	LOWER BODY REAR LH/DR-BLACK	71-72 GM ....	45.00	ea
102295	LOWER BODY REAR RH/PA-BLACK	71-72 GM ....	45.00	ea
102085	LOWER REAR DOOR RH/PA-BLACK	69-70 GM ....	50.00	ea
102291	LOWER REAR DOOR RH/PA-BLACK	71-72 GM ....	50.00	ea



## 68-72 FORD MOULDINGS



These include the upper body mouldings for 68-69 Ford Styleside (Fleetside) trucks and 70-72 Ford Styleside (Fleetside) trucks. Upper body mouldings are available in 1-1/2" or 3-5/8" widths. 1-1/2" wide mouldings have black painted accents while 3-5/8" have black or wood accents. Attachment clips are included.

### 68-72 Ford Mouldings with Clips

Sold as a set - clips included.

\*All Ford mouldings are purchased from an outside vendor

120252	UPPER BODY 1-1/2"-BLACK 68-69 SHORT .....	\$400.00	set
120253	UPPER BODY 1-1/2"-BLACK 68-69 LONG .....	400.00	set
120254	UPPER BODY 1-1/2"-BLACK 70-72 SHORT .....	400.00	set
120255	UPPER BODY 1-1/2"-BLACK 70-72 LONG .....	400.00	set
120258	UPPER BODY 3-5/8"-WOOD 70-72 SHORT .....	600.00	set
120259	UPPER BODY 3-5/8"-WOOD 70-72 LONG .....	600.00	set



## 67-72 FORD ROCKER PANEL MOULDINGS

Set consists of 10 aluminum mouldings that fit the rocker area of Ford Styleside trucks. Mouldings are bright-anodized aluminum with black accents. All clips for attachment are sold separately as a set.

### 67-72 Ford Mouldings

Sold as a set - clips sold separately.

\*All Ford mouldings are purchased from an outside vendor

120249	ROCKER PANEL MLDG-BLACK SHORT .....	\$350.00	set
120250	ROCKER PANEL MLDG-BLACK LONG .....	350.00	set
120251	ROCKER PANEL MLDG CLIP SET .....	70.00	set