

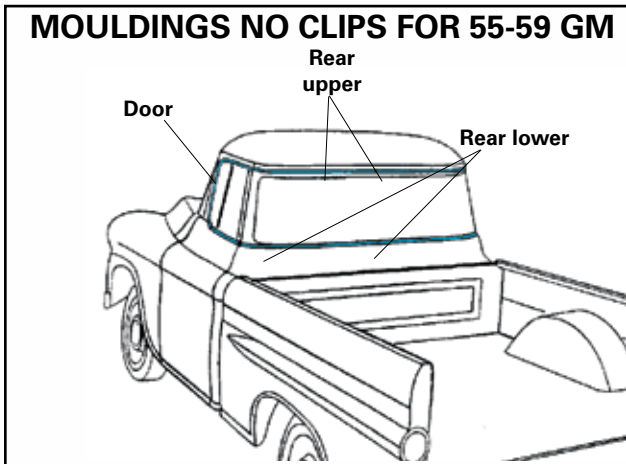
**MOULDINGS-**

- We make most of these mouldings here in Oklahoma City, USA.
- **MAR-K™** maintains stock of many stainless and aluminum mouldings for the 55-59 and 62-72 GM pickups.
- Also available are the many special clips and fasteners needed to attach the mouldings for 62-72 GM trucks. **MAR-K™** supplies many of the replacement mouldings and clips when they are discontinued by GM, so you can rely on us to supply your needs.
- We stock lower body mouldings in woodgrain and black accents for 69-72 GM Fleetsides, Blazers and Suburbans. See pages 87-89.

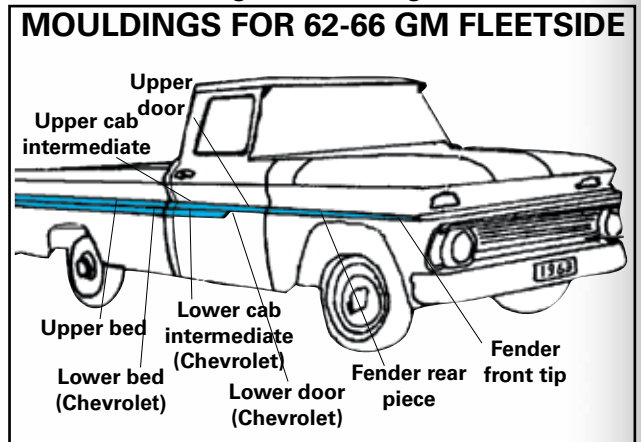
**MOULDINGS FOR GM 55-59/62-66**



Many of the later model mouldings must be taped and painted with accent stripes to match original mouldings.



**MOULDINGS NO CLIPS FOR 55-59 GM**



**MOULDINGS FOR 62-66 GM FLEETSIDE**

There are four stainless trims still available which fit around the two side windows, and the rear window.

**55 2nd-59 Cab Mouldings without Clips**

Sold by the piece - clips not available. N/A is not available.

C140100	DOOR TRIM LH/DR NO CLIPS.....	N/A
C140104	REAR LOWER LH/DR NO CLIPS .....	\$31.00 ea
C140105	REAR LOWER RH/PA NO CLIPS .....	31.00 ea
C140102	REAR UPPER LH/DR NO CLIPS .....	N/A
C140103	REAR UPPER RH/PA NO CLIPS .....	31.00 ea
140106	MLDG CAP (WINDSHIELD CLIP-4/TRUCK)...	4.00 ea

These aluminum mouldings are available by the piece or set. The trims are installed by clips which slide into the trim, then the trim is pressed or bolted on the truck. Complete clip kits are also available.

**62-66 GM Fleetside Body Mouldings with Clips**

Sold as a set or by the piece - clips are included with both.

103100	COMPLETE SIDE-SHORT BED, CHEVY ...	\$639.00 set
103114	COMPLETE SIDE-SHORT BED, GMC.....	354.00 set
103101	COMPLETE SIDE-LONG BED, CHEVY .....	691.00 set
103115	COMPLETE SIDE-LONG BED, GMC .....	392.00 set
K101201	COMPLETE CLIPS -SHORT BED, CHEVY .....	95.00 kit
K101208	COMPLETE CLIPS -SHORT BED, GMC.....	35.00 kit
K101200	COMPLETE CLIPS -LONG BED, CHEVY ....	105.00 kit
K101209	COMPLETE CLIPS -LONG BED, GMC .....	36.00 kit

102225	FENDER FRONT TIP.....	\$30.50 ea
102226	FENDER REAR PIECE.....	41.00 ea
102220	LOWER DOOR LH/DR, CHEVY .....	39.00 ea
102219	LOWER DOOR RH/PA, CHEVY .....	39.00 ea
400100	LOWER CAB INTERMEDIATE, CHEVY.....	20.50 ea
102223	LOWER BED-SHORT BED, CHEVY.....	83.00 ea
102224	LOWER BED-LONG BED, CHEVY.....	90.00 ea
102218	UPPER DOOR .....	31.00 ea
102255	UPPER CAB INTERMEDIATE LH/DR.....	30.50 ea
102256	UPPER CAB INTERMEDIATE RH/PA.....	30.50 ea
102221	UPPER BED-SHORT BED .....	44.00 ea
102222	UPPER BED-LONG BED.....	63.00 ea

**MOULDING CLIPS FOR 62-72 GM TRUCKS**

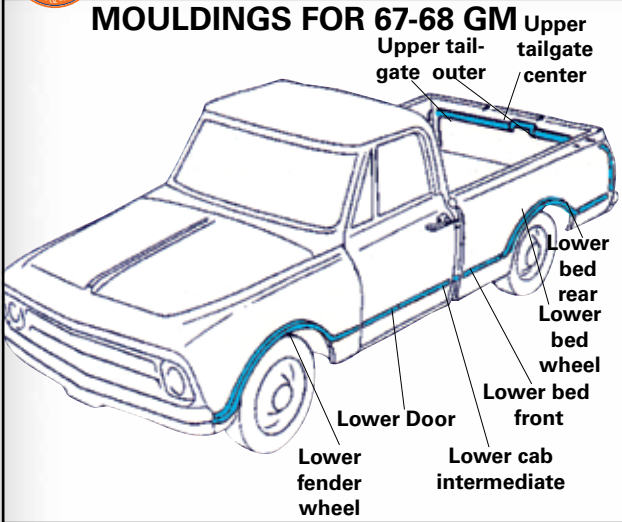


**MAR-K** offers many hard to find moulding clips. Clips are included for installation or may be purchased separately for replacement. Call our sales staff for individual clip prices.





**MOULDINGS FOR 67-68 GM**



Aluminum mouldings to accent the lower body lines of the Fleetside are sold by the set or piece. Attachment clips and hardware are included with each part.

**Mouldings with Clips for 67-68 GM**

- Sold as a set or by the piece - clips included with both
- 103136 COMPLETE LOWER SIDE -SHORT BED . \$971.50 set
  - 103137 COMPLETE LOWER SIDE -LONG BED ... 1023.50 set
  - K101216 COMPLETE CLIPS LOWER SIDE-SHORT.... 49.00 kit
  - K101217 COMPLETE CLIPS LOWER SIDE-LONG..... 55.00 kit

- 102251 LOWER FENDER WHEEL LH/DR ..... \$134.50 ea
- 102252 LOWER FENDER WHEEL RH/PA ..... 134.50 ea
- 102235 LOWER DOOR LH/DR ..... 71.00 ea
- 102234 LOWER DOOR RH/PA ..... 71.00 ea
- 102237 LOWER CAB INTERMEDIATE LH/DR ..... 68.50 ea
- 102236 LOWER CAB INTERMEDIATE RH/PA ..... 68.50 ea
- 102239 LOWER BED FRONT LH/DR-SHORT BED .. 50.00 ea
- 102240 LOWER BED FRONT RH/PA-SHORT BED . 50.00 ea
- 102241 LOWER BED FRONT LH/DR-LONG BED .... 63.00 ea
- 102242 LOWER BED FRONT RH/PA-LONG BED .... 63.00 ea
- 102243 LOWER BED WHEEL LH/DR ..... 112.00 ea
- 102244 LOWER BED WHEEL RH/PA ..... 112.00 ea
- 102245 LOWER BED REAR LH/DR-SHORT BED ..... 50.00 ea
- 102246 LOWER BED REAR RH/PA-SHORT BED ..... 50.00 ea
- 102247 LOWER BED REAR LH/DR-LONG BED ..... 63.00 ea
- 102248 LOWER BED REAR RH/PA-LONG BED ..... 63.00 ea
- 102230 UPPER TAILGATE CENTER ..... 28.00 ea
- 102231 UPPER TAILGATE OUTER LH/DR..... 24.00 ea
- 102232 UPPER TAILGATE OUTER RH/PA ..... 24.00 ea

**67-72 Fleetside Upper Tailgate Custom Full Width**

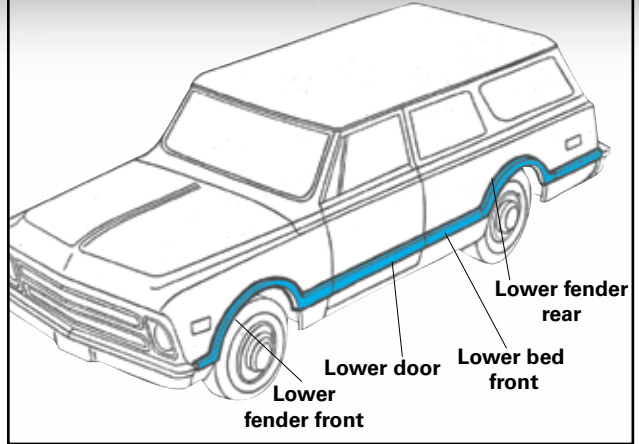


Custom, full-width, aluminum moulding that fits along the upper portion of the tailgate. Replaces the upper left hand, right hand and center mouldings for a custom look. Use this piece with a tailgate cover or other

custom applications where the handle hole on the outside of the tailgate has been eliminated. Includes clips for attachment.

- 102524 CUSTOM FULL WIDTH WITH CLIPS ..... \$69.00 ea

**MOULDINGS FOR 67-68 GM SUBURBAN**



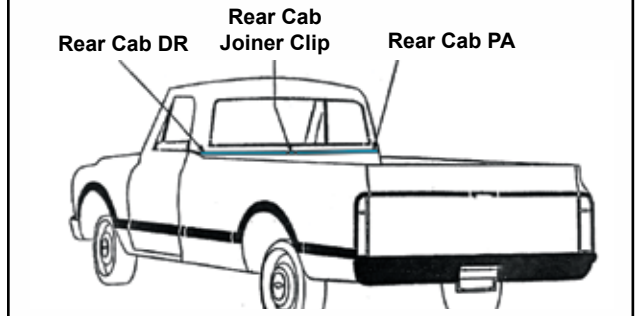
Aluminum mouldings to accent the lower body lines of the Suburban are sold by the set or piece. Attachment clips and hardware are included.

**67-68 GM Suburban Mouldings with/without Clips**

Sold as a set - clips included except for lower bed front and rear (4 pcs)

- 103139 COMPLETE LOWER SIDE -SHORT BED \$950.50 set
- Sold by the piece - clips included
- 102251 LOWER FENDER WHEEL LH/DR .....\$134.50 ea
- 102252 LOWER FENDER WHEEL RH/PA ..... 134.50 ea
- 102235 LOWER DOOR LH/DR ..... 71.00 ea
- 102234 LOWER DOOR RH/PA ..... 71.00 ea
- 102079 LOWER BED FRONT 3RD DOOR RH/PA..... 101.00 ea
- 102243 LOWER BED WHEEL LH/DR ..... 112.00 ea
- 102244 LOWER BED WHEEL RH/PA ..... 112.00 ea
- Sold by the piece - clips not available.
- C102075 LOWER BED FRONT LH/DR .....\$56.00 ea
- C102080 LOWER BED FRONT BEH 3RD DOOR RH/PA 37.00 ea
- C102077 LOWER BED REAR LH/DR..... 59.00 ea
- C102078 LOWER BED REAR RH/PA ..... 59.00 ea

**67-72 GM REAR CAB MOULDINGS**



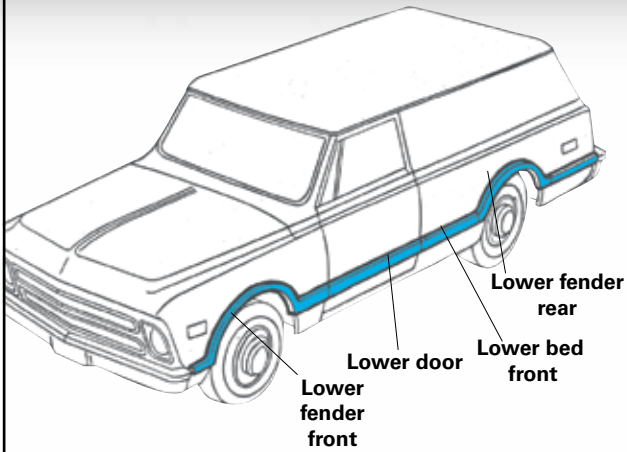
**67-72 GM REAR CAB MOULDINGS**

Stainless steel mouldings go on the back of the cab, usually on two-toned painted trucks where the two colors meet. Sold by the set or piece, specify driver, passenger, or joiner clip. Six nylon attachment clips are included with each trim. The small screw-in studs are used for trucks without the original welded studs for attachment and are sold separately.

**67-72 GM Rear Cab Mouldings**

- 103138 COMPLETE SET WITH CLIPS ..... \$91.00 set
- 3917809 REAR CAB LH/DR WITH CLIPS ..... 41.50 ea
- 3917810 REAR CAB RH/PA WITH CLIPS ..... 41.50 ea
- 3901478 REAR CAB JOINER CLIP ..... 8.00 ea
- C100339 SCREW-IN STUD..... 0.33 ea

## MOULDINGS FOR 67-68 GM PANEL TRUCK



Aluminum mouldings to accent the lower body lines of the Panel Truck are sold by the piece. Attachment clips and hardware are included with each part.

### 67-68 GM Panel Truck Mouldings with/without Clips

Sold as a set - clips included except for lower bed front and rear (4 pcs)

103140 COMPLETE LOWER SIDE -SHORT BED . \$864.30 set  
Sold by the piece - clips included

102251	LOWER FENDER WHEEL LH/DR .....	\$134.50 ea
102252	LOWER FENDER WHEEL RH/PA .....	134.50 ea
102235	LOWER DOOR LH/DR .....	71.00 ea
102234	LOWER DOOR RH/PA .....	71.00 ea
102243	LOWER BED WHEEL LH/DR .....	112.00 ea
102244	LOWER BED WHEEL RH/PA .....	112.00 ea

Sold by the piece - clips not available.

C102075	LOWER BED FRONT LH/DR .....	\$56.00 ea
C102076	LOWER BED FRONT RH/PA .....	56.00 ea
C102077	LOWER BED REAR LH/DR .....	59.00 ea
C102078	LOWER BED REAR RH/PA .....	59.00 ea

## BOLT ON VS ADHESIVE CLIPS

For 69-70 GM Fleetsides, side mouldings are attached entirely by screws or metal clips inside the mouldings. Each clip requires a hole drilled in the body and is held in the hole by either a stud and nut or a "push-in" snap type retainer. In the 71-72 model years, side mouldings are attached by a combination of metal clips and plastic retainers with adhesive. The metal clips are usually at the ends of the mouldings and the plastic retainers in the center. Holes are not drilled for the plastic retainers but are needed for the metal clips. MAR-K makes both types of moulding attachments. The mouldings come with clips according to the year specified. Prices may vary depending on the type of clip kit and the clips included.

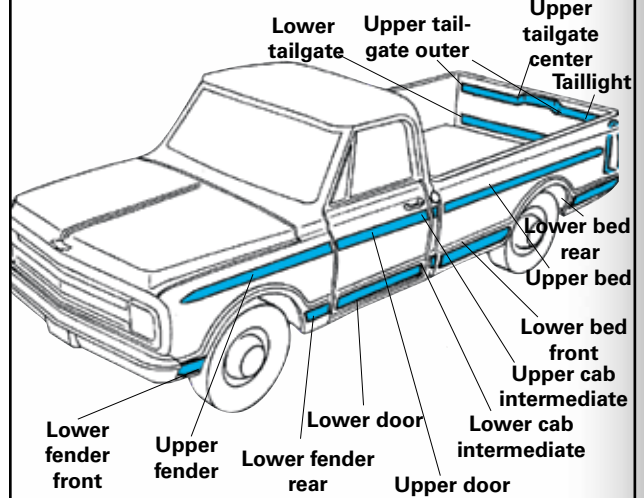


BLACK ACCENT FINISH WITH "BOLT ON" CLIPS

MOULDINGS  
FOR GM 67-72



## MOULDINGS FOR 69-72 GM FLEETSIDE



MAR-K makes upper and lower side body and tailgate mouldings. Plastic or metal attachment clips are included with each part or may be purchased separately for replacement. See left for an explanation on bolt on vs. adhesive clips.

### 69-72 GM Mouldings with Clips

Sold as a set or by the piece - clips included with both

103122	LOWER BLACK 69-70 SHORT .....	\$740.00 set
103123	LOWER WOOD 69-70 SHORT .....	794.00 set
103124	LOWER BLACK 69-70 LONG .....	761.50 set
103125	LOWER WOOD 69-70 LONG .....	789.50 set
103128	LOWER BLACK 69-70 LONG W/TLBX .....	855.00 set
103130	LOWER WOOD 69-70 LONG W/TLBX .....	938.00 set
103126	LOWER BLACK 69-70 LONGHORN .....	771.00 set
103127	LOWER WOOD 69-70 LONGHORN .....	805.00 set
103129	LOWER BLACK 69-70 LHORN W/TLBX .....	884.00 set
103131	LOWER WOOD 69-70 LHORN W/TLBX .....	957.00 set
103108	LOWER BLACK 71-72 SHORT BED .....	735.00 set
103109	LOWER WOOD 71-72 SHORT BED .....	789.00 set
103110	LOWER BLACK 71-72 LONG BED .....	755.00 set
103111	LOWER WOOD 71-72 LONG BED .....	783.00 set
103132	LOWER BLACK 71-72 LONG W/TLBX .....	849.50 set
103134	LOWER WOOD 71-72 LONG W/TLBX .....	932.50 set
103112	LOWER BLACK 71-72 LONGHORN .....	764.00 set
103113	LOWER WOOD 71-72 LONGHORN .....	798.00 set
103133	LOWER BLACK 71-72 LHORN W/TLBX .....	878.00 set
103135	LOWER WOOD 71-72 LHORN W/TLBX .....	951.00 set
103102	UPPER 69-70 GM SHORT BED .....	653.00 set
103103	UPPER 69-70 GM LONG BED .....	689.00 set
103104	UPPER 69-70 GM LONGHORN .....	697.00 set
103105	UPPER 71-72 GM SHORT BED .....	611.00 set
103106	UPPER 71-72 GM LONG BED .....	615.00 set
103107	UPPER 71-72 GM LONGHORN .....	615.00 set
K102580	CLIPS - UPPER 69-70 SHORT .....	104.00 kit
K102581	CLIPS - UPPER 69-70 LONG .....	106.00 kit
K102611	CLIPS - UPPER 69-70 LONGHORN .....	113.00 kit
K102578	CLIPS - UPPER 71-72 SHORT .....	48.00 kit
K102579	CLIPS - UPPER 71-72 LONG .....	53.00 kit
K102763	CLIPS - UPPER 71-72 LONGHORN .....	54.00 kit
K101218	CLIPS - LOWER 69-70 SHORT BED .....	166.00 kit
K101219	CLIPS - LOWER 69-70 LONG BED .....	185.50 kit
K101228	CLIPS - LOWER 69-70 LONG W/TLBX ..	180.00 kit



**MOULDINGS  
FOR GM 69-72**

**69-72 GM Mouldings with Clips (continued)**

Sold as a set or by the piece - clips included with both

\*Lower Fender Front and Lower Cab Intermediate Mouldings purchased from an outside vendor

K101220	CLIPS - LOWER 69-70 LONGHORN .....	\$195.00	kit
K101229	CLIPS - LOWER 69-70 LHORN W/TLB .....	194.00	kit
K101223	CLIPS - LOWER 71-72 SHORT .....	161.00	kit
K101224	CLIPS - LOWER 71-72 LONG .....	179.00	kit
K101230	CLIPS- LOWER 71-72 LONG W/TLBX .....	174.50	kit
K101225	CLIPS- LOWER 71-72 LONGHORN.....	188.00	kit
K101231	CLIPS- LOWER 71-72 LHORN W/TLBX .....	188.00	kit
102169	LOWER FENDER FRONT LH/DR-BLACK* ....	48.00	ea
102175	LOWER FENDER FRONT RH/PA-BLACK* ....	48.00	ea
102200	LOWER FENDER FRONT LH/DR-WOOD* ....	53.00	ea
102206	LOWER FENDER FRONT RH/PA-WOOD*.....	53.00	ea
102170	LOWER FENDER REAR LH/DR-BLACK.....	52.00	ea
102176	LOWER FENDER REAR RH/PA-BLACK .....	52.00	ea
102201	LOWER FENDER REAR LH/DR-WOOD.....	66.00	ea
102207	LOWER FENDER REAR RH/PA-WOOD .....	66.00	ea
102296	LOWER DOOR LH/DR-BLACK 69-70.....	85.00	ea
102298	LOWER DOOR RH/PA-BLACK 69-70 .....	85.00	ea
102297	LOWER DOOR LH/DR-WOOD 69-70.....	90.00	ea
102299	LOWER DOOR RH/PA-WOOD 69-70 .....	90.00	ea
102171	LOWER DOOR LH/DR-BLACK 71-72.....	83.50	ea
102177	LOWER DOOR RH/PA-BLACK 71-72 .....	83.50	ea
102202	LOWER DOOR LH/DR-WOOD 71-72 .....	88.50	ea
102208	LOWER DOOR RH/PA-WOOD71-72 .....	88.50	ea
102172	LOWER CAB INTERM LH/DR-BLACK* .....	69.00	ea
102178	LOWER CAB INTERM RH/PA-BLACK* .....	69.00	ea
102203	LOWER CAB INTERM LH/DR-WOOD* .....	77.00	ea
102209	LOWER CAB INTERM RH/PA-WOOD* .....	77.00	ea
102101	LOWER BED FR LH/DR-BL 69-70 SHORT .....	77.50	ea
102103	LOWER BED FR RH/PA-BL 69-70 SHORT .....	77.50	ea
102102	LOWER BED FR LH/DR-WD 69-70 SHORT .....	77.50	ea
102104	LOWER BED FR RH/PA-WD 69-70 SHORT .....	77.50	ea
102109	LOWER BED FR LH/DR-BL 69-70 LONG .....	83.50	ea
102091	LOWER BED FR RH/PA-BL 69-70 LONG .....	83.50	ea
102110	LOWER BED FR LH/DR-WD 69-70 LONG .....	79.50	ea
102092	LOWER BED FR RH/PA-WD 69-70 LONG .....	79.50	ea
102097	LOWER BED FR LH/DR-BL 69-70 LHRN .....	88.00	ea
102099	LOWER BED FR RH/PA-BL 69-70 LHRN .....	88.00	ea
102098	LOWER BED FR LH/DR-WD 69-70 LHRN .....	87.00	ea
102090	LOWER BED FR RH/PA-WD 69-70 LHRN .....	87.00	ea
102173	LOWER BED FR LH/DR-BL 71-72 SHORT .....	77.00	ea
102179	LOWER BED FR RH/PA-BL 71-72 SHORT .....	77.00	ea
102204	LOWER BED FR LH/DR-WD 71-72 SHORT .....	77.00	ea
102210	LOWER BED FR RH/PA-WD 71-72 SHORT .....	77.00	ea
102181	LOWER BED FR LH/DR-BL 71-72 LONG .....	82.50	ea
102229	LOWER BED FR RH/PA-BL 71-72 LONG .....	82.50	ea

**BOLT ON VS ADHESIVE CLIPS**

For 69-70 GM Fleetsides, side mouldings are attached entirely by screws or metal clips inside the mouldings. Each clip requires a hole drilled in the body and is held in the hole by either a stud and nut or a "push-in" snap type retainer. In the 71-72 model years, side mouldings are attached by a combination of metal clips and plastic retainers with adhesive. The metal clips are usually at the ends of the mouldings and the plastic retainers in the center. Holes are not drilled for the plastic retainers but are needed for the metal clips.

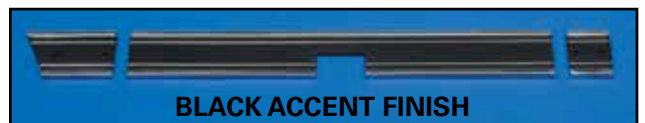
**MAR-K™** makes both types of moulding attachments. The mouldings come with clips according to the year specified. Prices may vary depending on the type of clip kit and the clips included.

**69-72 GM Mouldings with Clips (continued)**

Sold by the piece - clips included with each trim

102212	LOWER BED FR LH/DR-WD 71-72 LONG.....	\$78.50	ea
102216	LOWER BED FR RH/PA-WD 71-72 LONG.....	78.50	ea
102189	LOWER BED FR LH/DR-BL 71-72 LHRN .....	86.50	ea
102182	LOWER BED FR RH/PA-BL 71-72 LHRN .....	86.50	ea
102188	LOWER BED FR LH/DR-WD 71-72 LHRN .....	85.50	ea
102186	LOWER BED FR RH/PA-WD 71-72 LHRN .....	85.50	ea
102105	LOWER BED RR LH/DR-BL 69-70 SHORT.....	70.50	ea
102107	LOWER BED RR RH/PA-BL 69-70 SHORT .....	70.50	ea
102106	LOWER BED RR LH/DR-WD 69-70 SHORT.....	73.50	ea
102108	LOWER BED RR RH/PA-WD 69-70 SHORT .....	73.50	ea
102093	LOWER BED RR LH/DR-BL 69-70 LONG/LHN ..	75.00	ea
102095	LOWER BED RR RH/PA-BL 69-70 LONG/LHN ..	75.00	ea
102094	LOWER BED RR LH/DR-WD 69-70 LONG/LHN ..	69.00	ea
102096	LOWER BED RR RH/PA-WD 69-70 LONG/LHN ..	69.00	ea
102174	LOWER BED RR LH/DR-BL 71-72 SHORT .....	70.00	ea
102180	LOWER BED RR RH/PA-BL 71-72 SHORT .....	70.00	ea
102205	LOWER BED RR LH/DR-WD 71-72 SHORT .....	73.00	ea
102211	LOWER BED RR RH/PA-WD 71-72 SHORT .....	73.00	ea
102183	LOWER BED RR LH/DR-BL 71-72 LONG/LHN ..	74.50	ea
102187	LOWER BED RR RH/PA-BL 71-72 LONG/LHN ..	74.50	ea
102214	LOWER BED RR LH/DR-WD 71-72 LONG/LHN ..	68.50	ea
102217	LOWER BED RR RH/PA-WD 71-72 LONG/LHN ..	68.50	ea
102162	UPPER FENDER RH/LH.....	82.00	ea
102501	UPPER DOOR LH/DR 69-70 .....	67.00	ea
102500	UPPER DOOR RH/PA 69-70 .....	67.00	ea
102161	UPPER DOOR LH/DR 71-72 .....	67.00	ea
102165	UPPER DOOR RH/PA 71-72 .....	67.00	ea
102163	UPPER CAB INTERMEDIATE LH/DR .....	55.50	ea
102167	UPPER CAB INTERMEDIATE RH/PA .....	55.50	ea
102497	UPPER BED 69-70 SHORT BED .....	122.00	ea
102498	UPPER BED 69-70 LONG BED .....	140.00	ea
102499	UPPER BED 69-70 LONGHORN .....	144.00	ea
102164	UPPER BED 71-72 SHORT BED .....	101.00	ea
102168	UPPER BED 71-72 LONG BED .....	103.00	ea
102166	UPPER BED 71-72 LONGHORN .....	103.00	ea
102233	LOWER TAILGATE .....	37.50	ea
102230	UPPER TAILGATE CENTER .....	28.00	ea
102231	UPPER TAILGATE OUTER LH/DR .....	24.00	ea
102232	UPPER TAILGATE OUTER RH/PA .....	24.00	ea
102271	TAILLIGHT LH/DR .....	34.00	ea
102270	TAILLIGHT RH/PA.....	34.00	ea

**TOOLBOX MOULDINGS**



**BLACK ACCENT FINISH**

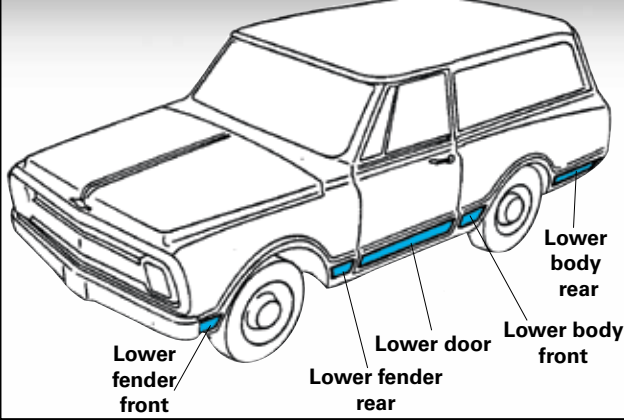
Lower bed side mouldings for 69-72 Chevy and GMC are available from **MAR-K™**. These parts include the lower mouldings for the long bed and Longhorn with the optional passenger side tool box as shown above. Available in black or woodgrain.



**WOODGRAIN  
ACCENT FINISH**

102228	LOWER FRONT OF TLBX LONG-BLACK.....	\$37.50	ea
102281	LOWER FRONT OF TLBX LONG-WOOD.....	56.50	ea
102238	LOWER FRONT OF TLBX LHRN-BLACK .....	62.00	ea
102282	LOWER FRONT OF TLBX LHRN-WOOD .....	68.00	ea
102185	LOWER REAR OF TLBX LONG/LHRN-BK.....	40.50	ea
102213	LOWER REAR OF TLBX LONG/LHRN-WD .....	44.50	ea
102215	LOWER TLBX LID LONG/LHRN-BLACK.....	99.00	ea
102227	LOWER TLBX LID LONG/LHRN-WOOD.....	127.00	ea

## MOULDINGS FOR 69-72 GM BLAZER



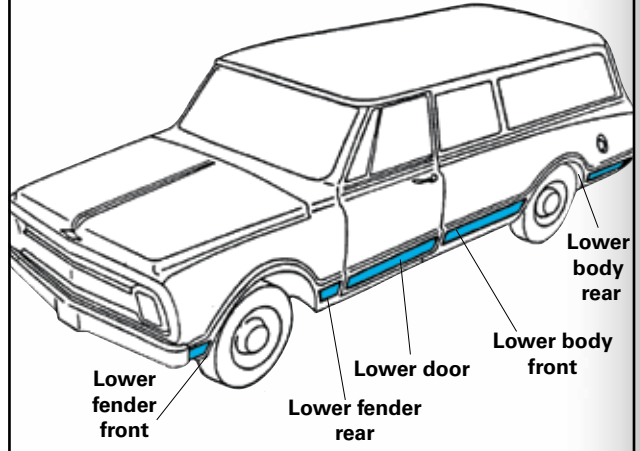
MOULDINGS  
FOR GM 69-72



### CUSTOM 67-68 STYLE BLAZER MOULDINGS

Custom aluminum moulding set for the 69-72 Chevy Blazer or GMC Jimmy, with the 67-68 front end - fenders, hood, and grille. This set includes the front fenders, doors, front bed, rear wheel arch, and rear quarters in the 67-68 style of trim. Sold as a set - clips and hardware included  
103141 COMPLETE LOWER SIDE 67-68..... \$830.30 set

### MOULDINGS FOR 69-72 GM SUBURBAN



MAR-K side trims have black painted or wood grain accents. Plastic and metal attachment clips are included with each part or may be purchased separately for replacement. See page 75 for an explanation on bolt on vs. adhesive clips.

#### 69-72 GM Blazer Mouldings with Clips

Sold as a set or by the piece - clips included with both  
\*Lower Fender Front purchased from an outside vendor.

103119	COMPLETE LOWER-BLACK 69-70 .....	\$613.00 set
103120	COMPLETE LOWER-WOOD 69-70 .....	691.00 set
103116	COMPLETE LOWER-BLACK 71-72 .....	609.00 set
103117	COMPLETE LOWER-WOOD 71-72 .....	687.00 set
K101221	COMPLETE CLIPS LOWER 69-70 .....	137.00 kit
K101226	COMPLETE CLIPS LOWER 71-72 .....	137.00 kit

102169	LOWER FENDER FRONT LH/DR-BLACK*	\$48.00 ea
102175	LOWER FENDER FRONT RH/PA-BLACK*	48.00 ea
102200	LOWER FENDER FRONT LH/DR-WOOD*	53.00 ea
102206	LOWER FENDER FRONT RH/PA-WOOD*	53.00 ea
102170	LOWER FENDER REAR LH/DR-BLACK.....	52.00 ea
102176	LOWER FENDER REAR RH/PA-BLACK.....	52.00 ea
102201	LOWER FENDER REAR LH/DR-WOOD.....	66.00 ea
102207	LOWER FENDER REAR RH/PA-WOOD .....	66.00 ea
102296	LOWER DOOR LH/DR-BLACK 69-70.....	85.00 ea
102298	LOWER DOOR RH/PA-BLACK 69-70.....	85.00 ea
102297	LOWER DOOR LH/DR-WOOD 69-70.....	90.00 ea
102299	LOWER DOOR RH/PA-WOOD 69-70.....	90.00 ea
102171	LOWER DOOR LH/DR-BLACK 71-72.....	83.50 ea
102177	LOWER DOOR RH/PA-BLACK 71-72.....	83.50 ea
102202	LOWER DOOR LH/DR-WOOD 71-72.....	88.50 ea
102208	LOWER DOOR RH/PA-WOOD 71-72.....	88.50 ea
102081	LOWER BODY FR LH/DR-BLACK 69-70.....	58.50 ea
102082	LOWER BODY FR RH/PA-BLACK 69-70 .....	58.50 ea
102083	LOWER BODY FR LH/DR-WOOD 69-70.....	70.50 ea
102084	LOWER BODY FR RH/PA-WOOD 69-70 .....	70.50 ea
102287	LOWER BODY FR LH/DR-BLACK 71-72 .....	58.50 ea
102288	LOWER BODY FR RH/PA-BLACK 71-72 .....	58.50 ea
102289	LOWER BODY FR LH/DR-WOOD 71-72 .....	70.50 ea
102290	LOWER BODY FR RH/PA-WOOD 71-72 .....	70.50 ea
102105	LOWER BODY RR LH/DR-BLACK 69-70 .....	70.50 ea
102107	LOWER BODY RR RH/PA-BLACK 69-70 .....	70.50 ea
102106	LOWER BODY RR LH/DR-WOOD 69-70.....	73.50 ea
102108	LOWER BODY RR RH/PA-WOOD 69-70.....	73.50 ea
102174	LOWER BODY RR LH/DR-BLACK 71-72 .....	70.00 ea
102180	LOWER BODY RR RH/PA-BLACK 71-72 .....	70.00 ea
102205	LOWER BODY RR LH/DR-WOOD 71-72 .....	73.00 ea
102211	LOWER BODY RR RH/PA-WOOD 71-72 .....	73.00 ea
102233	LOWER TAILGATE .....	37.50 ea
102230	UPPERTAILGATE CENTER.....	28.00 ea
102231	UPPERTAILGATE OUTER LH/DR.....	24.00 ea
102232	UPPERTAILGATE OUTER RH/PA.....	24.00 ea
102271	TAILLIGHT LH/DR .....	34.00 ea
102270	TAILLIGHT RH/PA .....	34.00 ea

These include the lower side door and body mouldings and the passenger rear door moulding. MAR-K™ trims have black painted accents. Plastic and metal attachment clips are included with each part or may be purchased separately for replacement. See page 87 for an explanation on bolt on vs. adhesive clips.

#### 69-72 GM Suburban Mouldings with Clips

Sold as a set or by the piece - clips included with both.

\*Lower Fender Front Moulding purchased from an outside vendor.

103121	COMPLETE LOWER SIDE-BLACK 69-70	\$752.00 set
103118	COMPLETE LOWER SIDE-BLACK 71-72 ..	748.00 set
K101222	COMPLETE CLIPS LOWER SIDE 69-70 ....	194.00 kit
K101227	COMPLETE CLIPS LOWER SIDE 71-72.....	190.00 kit

102169	LOWER FENDER FRONT LH/DR-BLACK*	\$48.00 ea
102175	LOWER FENDER FRONT RH/PA-BLACK* ..	48.00 ea
102170	LOWER FENDER REAR LH/DR-BLACK .....	52.00 ea
102176	LOWER FENDER REAR RH/PA-BLACK.....	52.00 ea
102296	LOWER DOOR LH/DR-BLACK 69-70 .....	85.00 ea
102298	LOWER DOOR RH/PA-BLACK 69-70.....	85.00 ea
102171	LOWER DOOR LH/DR-BLACK 71-72 .....	83.50 ea
102177	LOWER DOOR RH/PA-BLACK 71-72.....	83.50 ea
102086	LOWER BODY FR LH/DR-BLACK 69-70 .....	86.50 ea
102087	LOWER BODY FR RH/PA-BLACK 69-70 .....	61.50 ea
102292	LOWER BODY FR LH/DR-BLACK 71-72 .....	86.50 ea
102293	LOWER BODY FR RH/PA-BLACK 71-72 .....	61.50 ea
102088	LOWER BODY RR LH/DR-BLACK 69-70 .....	83.00 ea
102089	LOWER BODY RR RH/PA-BLACK 69-70 .....	83.00 ea
102294	LOWER BODY RR LH/DR-BLACK 71-72 .....	83.00 ea
102295	LOWER BODY RR RH/PA-BLACK 71-72 .....	83.00 ea
102085	LOWER RR DOOR RH/PA-BLACK 69-70 .....	83.50 ea
102291	LOWER RR DOOR RH/PA-BLACK 71-72 .....	82.50 ea